

MV-ACU3-MBMs(down)-AM-ST USB3.0 STANDARD (ANGLE) DATA CABLE

The USB3.0 Standard (Angle) Data Cable can be used for data transmission and power supply of USB3.0 interface cameras, and is available in a variety of lengths.



Applicable Camera

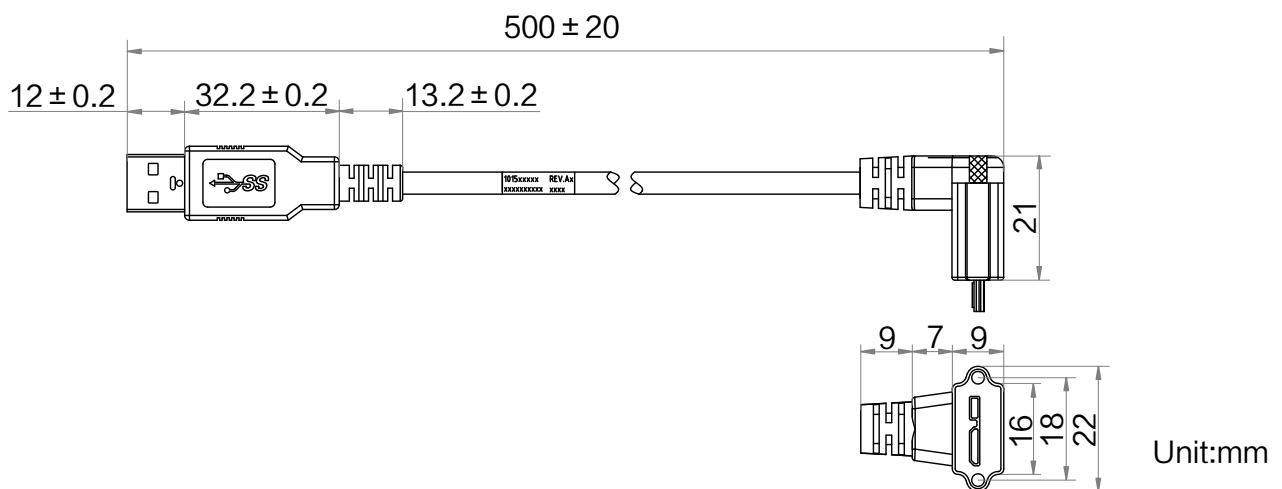
- Hikrobot USB3.0 Interface Area Scan Camera
- Hikrobot USB3.0 Interface Board Level camera

Order Models

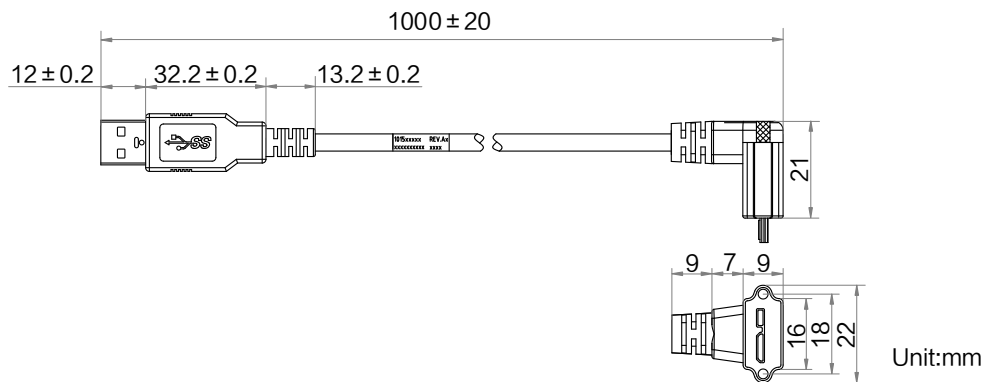
- 0.5m USB3.0 Standard (Angle, down) Data Cable : MV-ACU3-MBMs(down)-AM-ST-0.5m
- 1m USB3.0 Standard (Angle, down) Data Cable : MV-ACU3-MBMs(down)-AM-ST-1m
- 2m USB3.0 Standard (Angle, down) Data Cable : MV-ACU3-MBMs(down)-AM-ST-2m
- 3m USB3.0 Standard (Angle, down) Data Cable : MV-ACU3-MBMs(down)-AM-ST-3m

Dimension

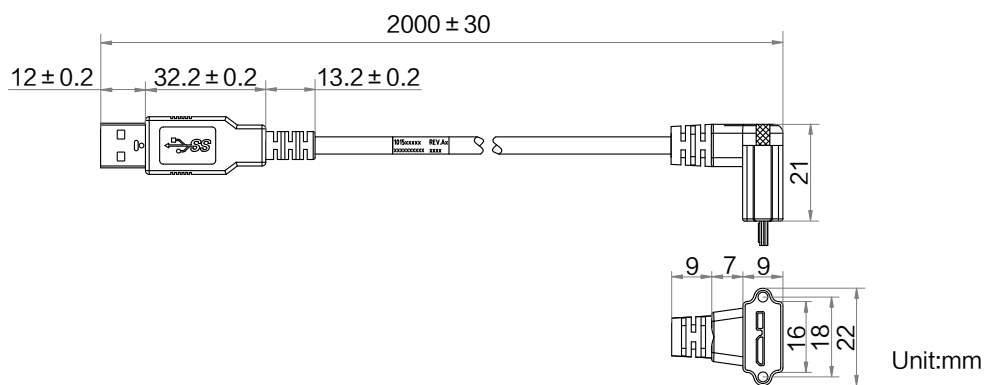
MV-ACU3-MBMs(down)-AM-ST-0.5m:



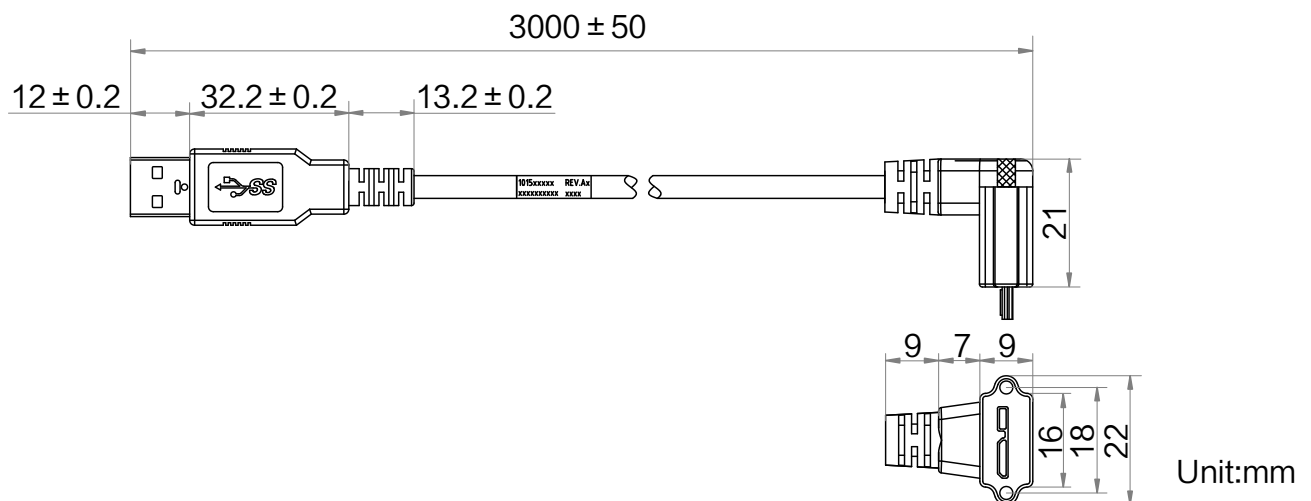
MV-ACU3-MBMs(down)-AM-ST-1m:



MV-ACU3-MBMs(down)-AM-ST-2m:



MV-ACU3-MBMs(down)-AM-ST-3m:



Specification

Specifications	Model	MV-ACU3-MBMs(down)-AM-ST
		USB 3.0 Standard (Angle) Data Cable
Physical specification		
End A connector		Micro-B male (with screw) , Angle (down)
End B connector		A male
Cable diameter		6.8 mm
Length		0.5/1/2/3 m
Cable mechanical		(26#*1P+EAM)*2+26#*1P*20#*2C+AEB
Jacket		Nitrile PVC
Cable color		Black
Connector durability		>750 cycles
Min. bending radius		81.6 mm
Applicable scenario		Static scenes
Electrical specification		
Max. voltage		5 VDC
Additional information		
Working temperature		-20℃ ~ 80℃
Certification		RoHS, UL
Packaging		Individual package

*Read the user manual for the camera including the precautions before connecting the cable to the camera.

HIKROBOT

Hangzhou Hikrobot Co. Ltd.
en.hikrobotics.com

© Hangzhou Hikrobot Co., Ltd. All Rights Reserved.

Hangzhou Hikrobot does not tolerate any infringement. Any organization or individual may not imitate or reproduce in whole or in part of the content. The data herein is based on Hikrobot's internal evaluation. Actual data may vary depending on specific configuration and operating condition. The information herein is subject to change without notice. All the content has been checked conscientiously. Nevertheless, Hikrobot shall not be liable to damages resulting from errors, inconsistencies or omissions.