

# MV-CH120-20GM/GC

## 12 MP 1" CMOS GigE Area Scan Camera



GEN*i*CAM

GigE  
VISION

### Introduction

MV-CH120-20GM/GC camera adopts OnSemi XGS12000 sensor to provide high-quality images. It uses GigE interface to transmit non-compressed images in real time, and its max. frame rate can reach 9.6 fps in full resolution.

### Key Feature

- Supports auto or manual adjustment for gain and exposure time, and manual adjustment for LUT and Gamma correction.
- Supports LSC, sequencer, passive transmission, etc.
- Color camera supports white balance, CCM, Super Palette, Super Bayer, etc.
- Adopts GigE interface and max. transmission distance of 100 meters without relay.
- Compact design with mounting holes on panels for flexible mounting from 4 sides.
- Compatible with GigE Vision V2.0 Protocol, GenCam Standard, and third-party software based on the protocol and standard.

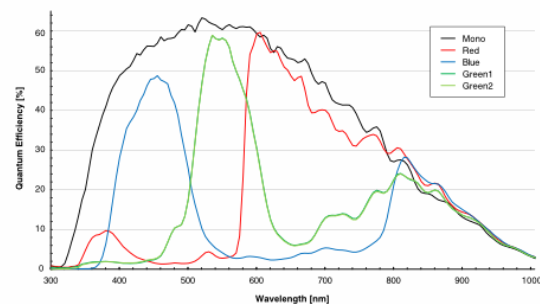
### Available Model

- Mono camera: MV-CH120-20GM
- Color camera: MV-CH120-20GC

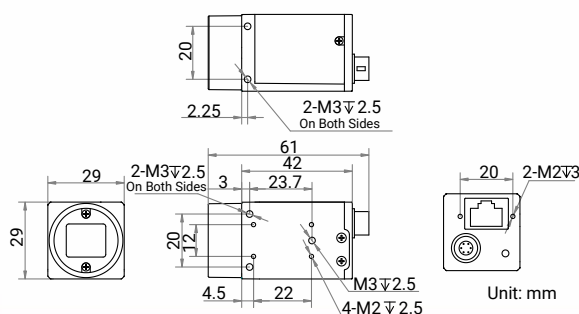
### Applicable Industry

Electronic semiconductor, factory automation, logistics, etc.

### Sensor Quantum Efficiency



### Dimension



# Specification

Model	MV-CH120-20GM	MV-CH120-20GC
<b>Performance</b>		
Sensor type	CMOS, global shutter	
Sensor model	OnSemi XGS12000	
Pixel size	3.2 $\mu\text{m}$ $\times$ 3.2 $\mu\text{m}$	
Sensor size	1"	
Resolution	4096 $\times$ 3072	
Max. frame rate	9.6 fps @4096 $\times$ 3072 Mono 8	9.6 fps @4096 $\times$ 3072 Bayer RG 8
Dynamic range	66.4 dB	
SNR	40 dB	
Gain	0 dB to 18 dB	
Exposure time	UltraShort exposure mode: 52 $\mu\text{s}$ to 161 $\mu\text{s}$	
	Standard exposure mode: 162 $\mu\text{s}$ to 10 sec	
Exposure mode	Off/Once/Continuous exposure mode	
Mono/color	Mono	Color
Pixel format	Mono 8/10/10Packed/12/12Packed	Mono 8/10/12, Bayer RG 8/10/10Packed/12/12Packed, YUV422Packed, YUV422_YUYV_Packed, RGB 8, BGR 8
Binning	Supports 1 $\times$ 1, 2 $\times$ 2, 4 $\times$ 4	
Decimation	Supports 1 $\times$ 1, 2 $\times$ 2	
Reverse image	Supports horizontal and vertical reverse image output	
<b>Electrical feature</b>		
Data interface	Gigabit Ethernet, compatible with Fast Ethernet	
Digital I/O	6-pin P7 connector provides power and I/O, including opto-isolated input $\times$ 1 (Line 0), opto-isolated output $\times$ 1 (Line 1), bi-directional non-isolated I/O $\times$ 1 (Line 2).	
Power supply	9 VDC to 24 VDC, supports PoE	
Power consumption	Typ. 2.6 W@12 VDC	Typ. 2.7 W@12 VDC
<b>Mechanical</b>		
Lens mount	C-mount	
Dimension	29 mm $\times$ 29 mm $\times$ 42 mm (1.1" $\times$ 1.1" $\times$ 1.7")	
Weight	Approx. 100 g (0.2 lb.)	
Ingress protection	IP40 (under proper lens installation and wiring)	
Temperature	Working temperature: -10 $^{\circ}\text{C}$ to 50 $^{\circ}\text{C}$ (14 $^{\circ}\text{F}$ to 122 $^{\circ}\text{F}$ )	
	Storage temperature: -30 $^{\circ}\text{C}$ to 70 $^{\circ}\text{C}$ (-22 $^{\circ}\text{F}$ to 158 $^{\circ}\text{F}$ )	
Humidity	20% to 95% RH, non-condensing	
<b>General</b>		
Client software	MVS or third-party software meeting with GigE Vision Protocol	
Operating system	32/64-bit Windows XP/7/10, 32/64-bit Linux and 64-bit MacOS	
Compatibility	GigE Vision V2.0, GenICam	
Certification	CE, RoHS, KC	

## HIKROBOT

Hangzhou Hikrobot Co., Ltd.  
en.hikrobotics.com

© Hangzhou Hikrobot Co., Ltd. All Rights Reserved.

Hangzhou Hikrobot does not tolerate any infringement. Any organization or individual may not imitate or reproduce in whole or in part of the content. The data herein is based on Hikrobot's internal evaluation. Actual data may vary depending on specific configuration and operating condition. The information herein is subject to change without notice. All the content has been checked conscientiously. Nevertheless, Hikrobot shall not be liable to damages resulting from errors, inconsistencies or omissions.