

MV-ID6089M-00C-NNG

8.9 MP 1" CMOS Smart Code Reader



Introduction

With built-in code reading algorithm, MV-ID6089M-00C-NNG smart code reader can read different types of 1-dimensional code and 2-dimensional code with reading speed up to 90 codes/sec. It adopts deep learning algorithm to process image with good robustness, and can recognize various poor printing quality codes.

Key Feature

- Adopts built-in code reading algorithm and deep learning algorithm with good robustness to read different codes.
- Adopts CMOS sensor to acquire image data and provide high-quality image.
- Supports various trigger modes and image acquisition modes.
- Adopts multiple IO interfaces for inputting and outputting signals.
- Supports RS-232 serial port and indicators displaying device status.

Available Model

MV-ID6089M-00C-NNG

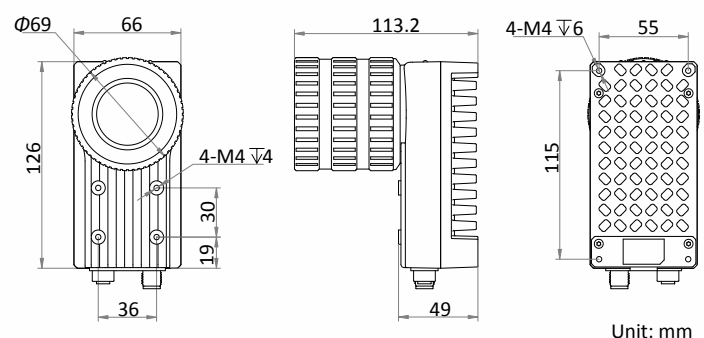
Applicable Industry

Delivery logistics, warehouse logitics, etc.

Accessories

- Light source: MV-LB-270-140-4030WL-A
- Lens: KF series FA lens

Dimension



Unit: mm



Specification

Model	MV-ID6089M-00C-NNG
Performance	
Symbologies	1-dimensional codes: Code 39, Code 128, Code 93, ITF 25, CodaBar, EAN 8, EAN 13, UPCA, UPCE, ITF 14 2-dimensional codes: QR Code, Data Matrix
Max. frame rate	30 fps
Max. reading speed	90 codes/sec
Sensor type	CMOS, global shutter
Pixel size	3.45 μm \times 3.45 μm
Sensor size	1"
Resolution	4096 \times 2160
Exposure time	16 μs to 1 sec
Gain	0 dB to 40 dB
Mono/color	Mono
Communication protocol	SmartSDK, TCP Client, TCP Server, Serial, FTP
Electrical feature	
Data interface	Gigabit Ethernet interface
Digital I/O	12-pin M12 connector provides power and I/O, including opto-isolated input (LineIn 0/1/2) \times 3, opto-isolated output (LineOut 3/4/5) \times 3, and RS-232 \times 1.
Power supply	12 VDC to 24 VDC
Max. power consumption	12 W@24 VDC
Mechanical	
Lens mount	C-mount
Light source	Not included
Lens cap	Included
Dimension	126 mm \times 66 mm \times 113.2 mm (5.0" \times 2.6" \times 4.5")
Weight	Approx. 750 g (1.7 lb.)
Ingress protection	IP67 (under proper installation of waterproof lens cap)
Temperature	Working temperature: 0 $^{\circ}\text{C}$ to 50 $^{\circ}\text{C}$ (32 $^{\circ}\text{F}$ to 122 $^{\circ}\text{F}$) Storage temperature: -30 $^{\circ}\text{C}$ to 70 $^{\circ}\text{C}$ (-22 $^{\circ}\text{F}$ to 158 $^{\circ}\text{F}$)
Humidity	20% to 95% RH, without condensation
General	
Client software	IDMVS
Certification	CE, RoHS



Hangzhou Hikrobot Co., Ltd.
en.hikrobotics.com