

MV-LBSS-H

Standard Flat Lighting

MV-LBSS-H standard flat lighting, adopts high density array LED layout, provide high brightness, backplane lighting with large coverage. Excellent uniformity, a variety of dimensions are available.



Key Features

- High density array LED, provides uniform lighting.
- Provide side mounting lugs, flexible installation mode.

Applicable Industry

Workpiece size/Contour measure, Product positioning detection, Flaw detection of transmitted objects ,etc.

Naming Rule

MV - LBSS - H - 30 - 30 - W

LBSS: Standard flat lighting

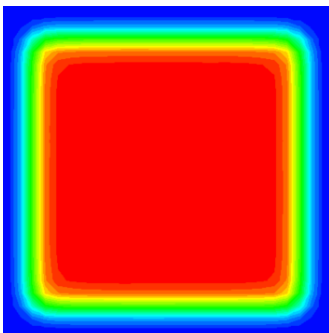
H: Hik style series

30 - 30: Emitting area dimensions (mm)

W: Color (White, other customizable)

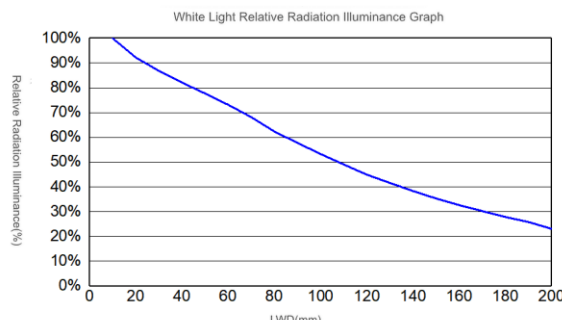
Illuminance Distribution

Image

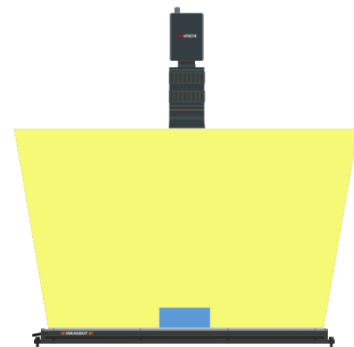


White Light Relative

Radiation Illuminance Graph



Lighting Signal



Specification

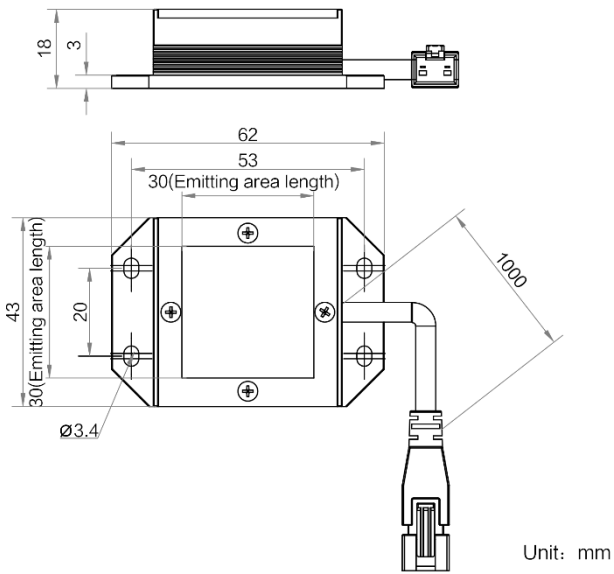
Model	Parameter	Performance		Mechanical			Electrical feature		
		Color	Center illuminance	Dimension	Emitting area dimensions	Weight	Power consumption	Input voltage	Connector type
MV-LBSS-H-30-30-W		White	≥ 2700 lux@100 mm	62 mm × 43 mm × 18 mm	30 mm × 30 mm	0.09 kg	2 W	24 VDC	SMR-03V-B
MV-LBSS-H-50-30-W		White	≥ 6000 lux@100 mm	82 mm × 43 mm × 18 mm	50 mm × 30 mm	0.1 kg	3 W	24 VDC	SMR-03V-B
MV-LBSS-H-50-50-W		White	≥ 10000 lux@100 mm	82 mm × 63.2 mm × 18 mm	50 mm × 50 mm	0.15 kg	4W	24 VDC	SMR-03V-B
MV-LBSS-H-80-80-W		White	≥ 20000 lux@100 mm	112 mm × 93 mm × 18 mm	80 mm × 80 mm	0.2 kg	13 W	24 VDC	SMR-03V-B
MV-LBSS-H-100-100-W		White	≥ 40000 lux@100 mm	132 mm × 113 mm × 18 mm	100 mm × 100 mm	0.3 kg	21 W	24 VDC	SMR-03V-B
MV-LBSS-H-120-120-W		White	≥ 31000 lux@100 mm	152 mm × 133 mm × 18 mm	120 mm × 120 mm	0.4 kg	22 W	24 VDC	SMR-03V-B
MV-LBSS-H-150-100-W		White	≥ 40000 lux@100 mm	182 mm × 113 mm × 18 mm	150 mm × 100 mm	0.45 kg	25 W	24 VDC	SMR-03V-B
MV-LBSS-H-150-150-W		White	≥ 60000 lux@100 mm	182 mm × 163 mm × 18 mm	150 mm × 150 mm	0.5 kg	36 W	24 VDC	SMR-03V-B
MV-LBSS-H-200-200-W		White	≥ 80000 lux@100 mm	232 mm × 213 mm × 18 mm	200 mm × 200 mm	0.8 kg	66 W	24 VDC	SMR-03V-B
MV-LBSS-H-250-150-W		White	≥ 60000 lux@100 mm	282 mm × 163 mm × 19 mm	250 mm × 150 mm	0.8 kg	46 W	24 VDC	SMR-03V-B
MV-LBSS-H-250-250-W		White	≥ 50000 lux@100 mm	282 mm × 263 mm × 19 mm	250 mm × 250 mm	1.1 kg	52 W	24 VDC	SMR-03V-B
MV-LBSS-H-300-200-W		White	≥ 60000 lux@100 mm	332 mm × 213 mm × 19 mm	300 mm × 200 mm	1.4 kg	69.4 W	24 VDC	SMR-03V-B
MV-LBSS-H-300-300-W		White	≥ 60000 lux@100 mm	338 mm × 315 mm × 21 mm	300 mm × 300 mm	2 kg	77 W	24 VDC	12M-2A
MV-LBSS-H-350-250-W		White	≥ 60000 lux@100 mm	388 mm × 265 mm × 21 mm	350 mm × 250 mm	2 kg	77 W	24 VDC	12M-2A
MV-LBSS-H-400-300-W		White	≥ 60000 lux@100 mm	438 mm × 315 mm × 21 mm	400 mm × 300 mm	3 kg	110 W	24 VDC	12M-2A
MV-LBSS-H-400-300-R		Red	≥ 20000 lux@100 mm	438 mm × 315 mm × 21 mm	400 mm × 300 mm	3 kg	92 W	24 VDC	12M-2A

Other Parameter

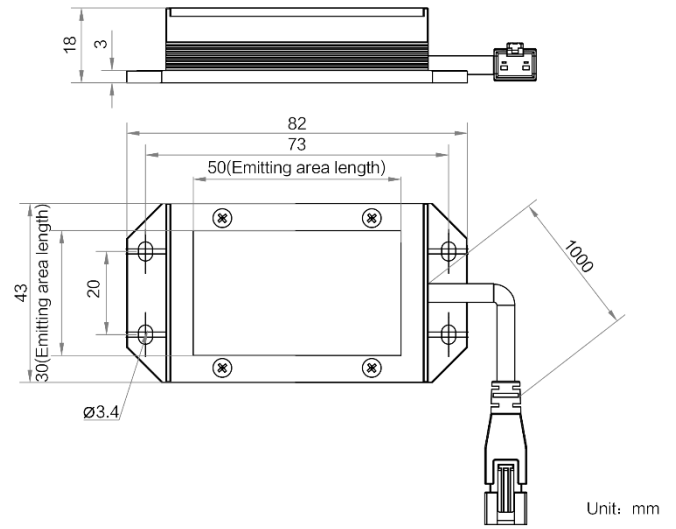
Model	MV-LBSS-H
Parameter	Standard Flat Lighting
Performance	
Wavelength	R: 625 nm
Color temperature	W: 6000 ~ 7000K
Mechanical	
Cable length	1 m
Cooling mode	Natural cooling
Temperature	Working temperature: 0 ~ 40°C Storage temperature: -20 ~ 60°C
Humidity	20 ~ 90%RH, non-condensing
Diffuse plate included	Included

Dimension

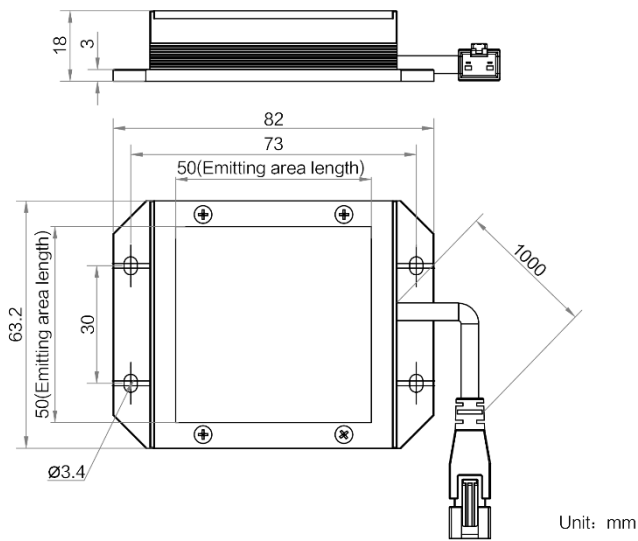
MV-LBSS-H-30-30-W



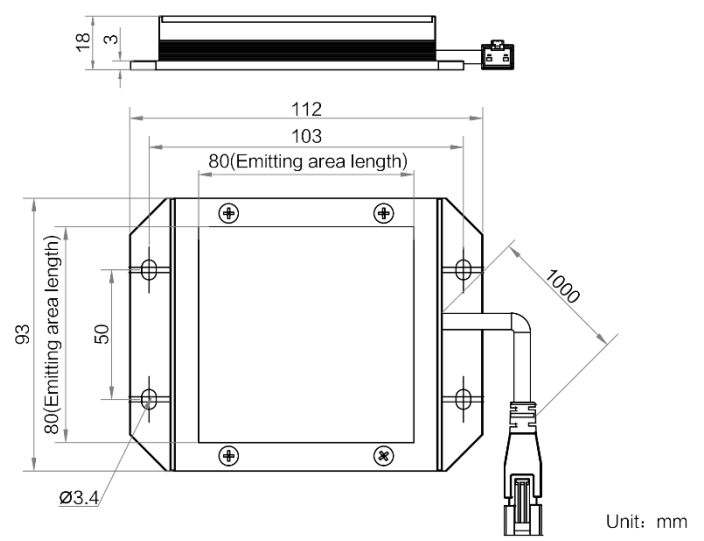
MV-LBSS-H-50-30-W



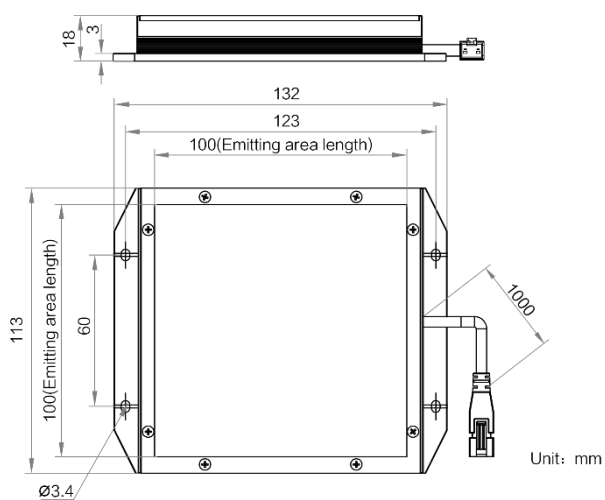
MV-LBSS-H-50-50-W



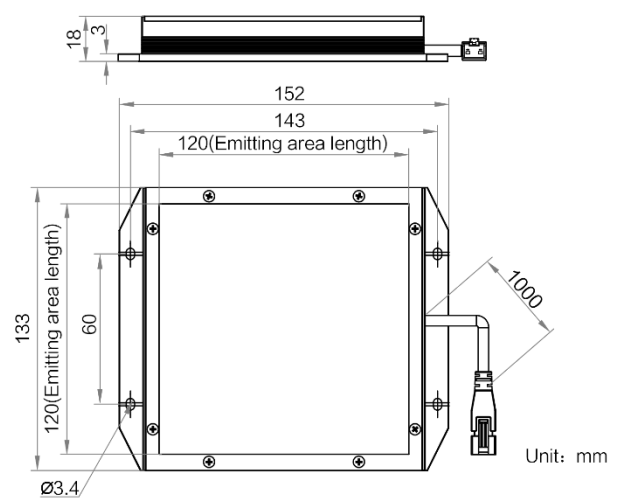
MV-LBSS-H-80-80-W



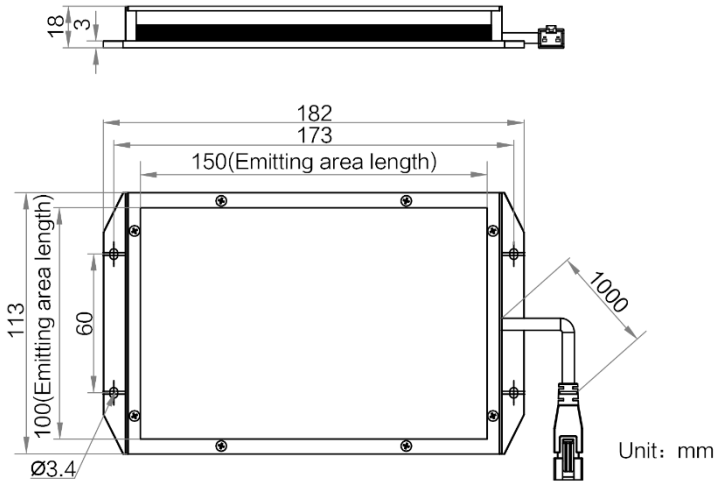
MV-LBSS-H-100-100-W



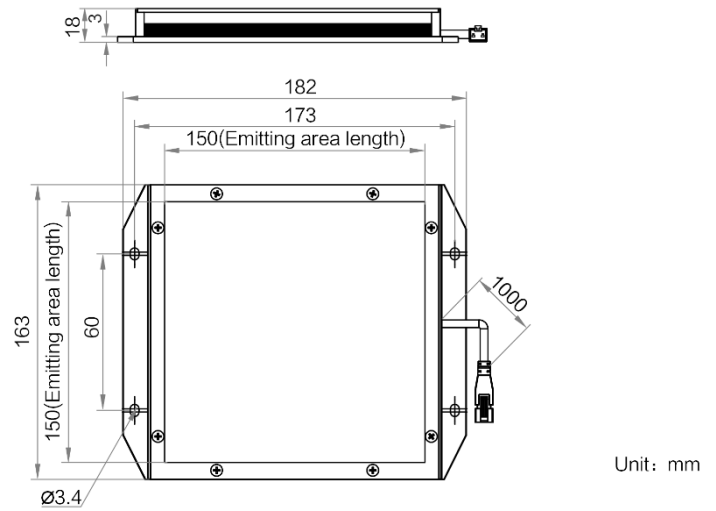
MV-LBSS-H-120-120-W



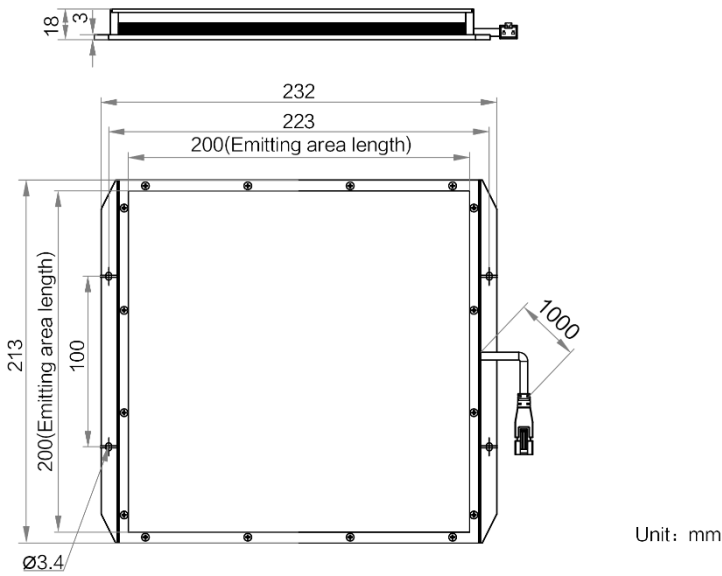
MV-LBSS-H-150-100-W



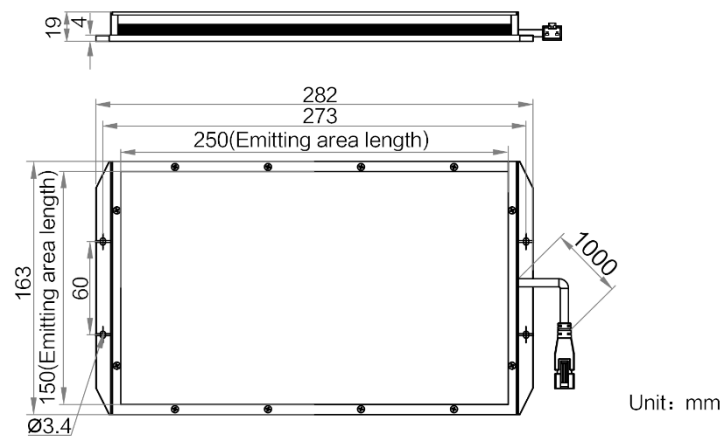
MV-LBSS-H-150-150-W



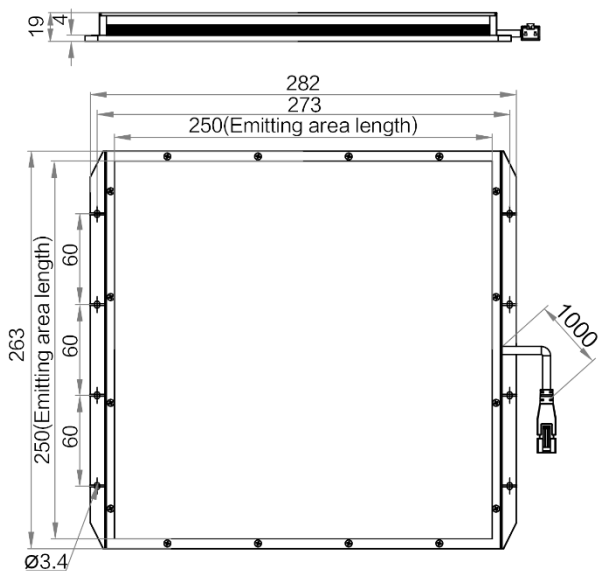
MV-LBSS-H-200-200-W



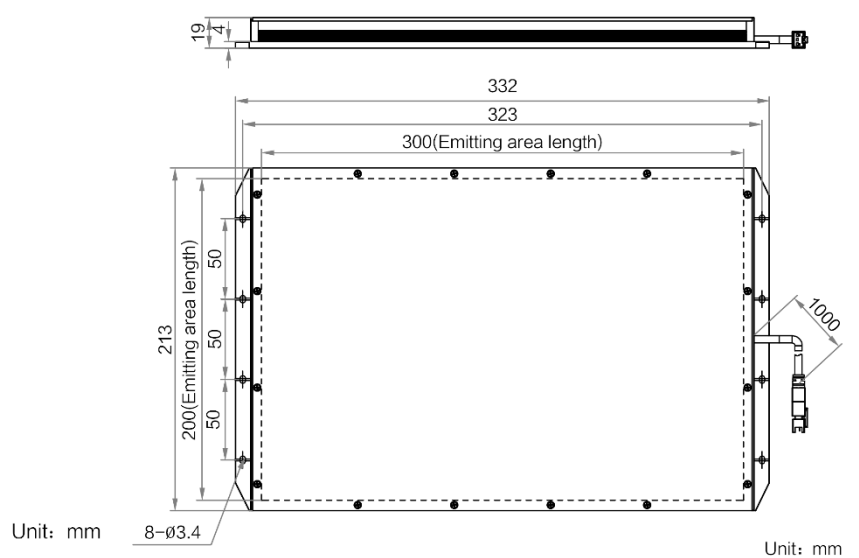
MV-LBSS-H-250-150-W



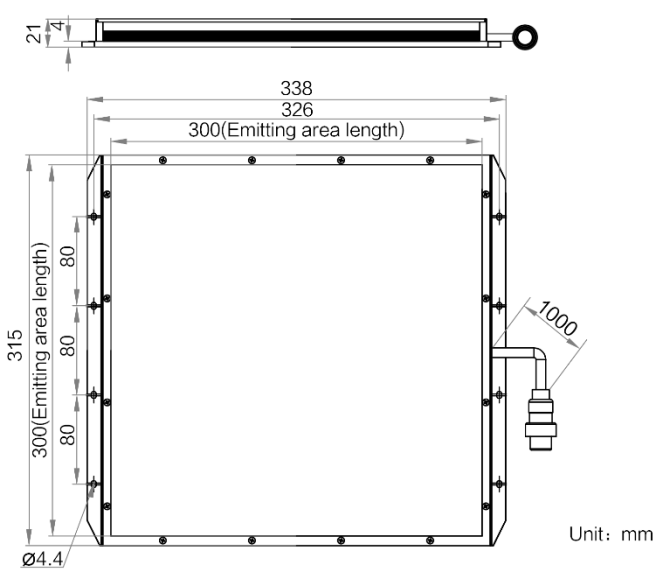
MV-LBSS-H-250-250-W



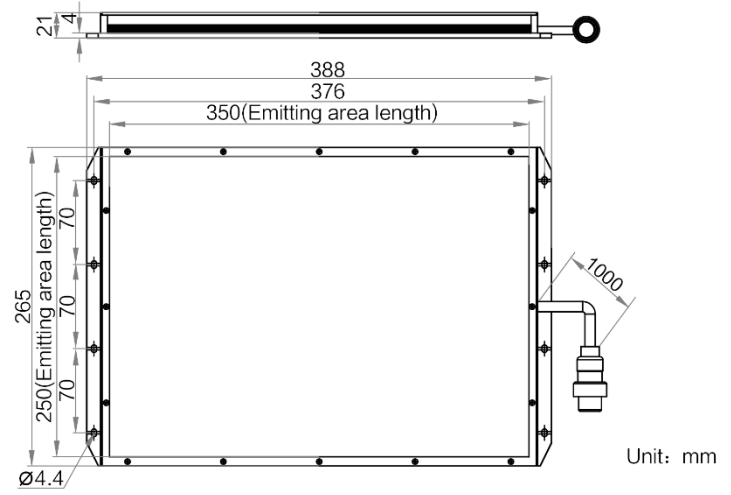
MV-LBSS-H-300-200-W



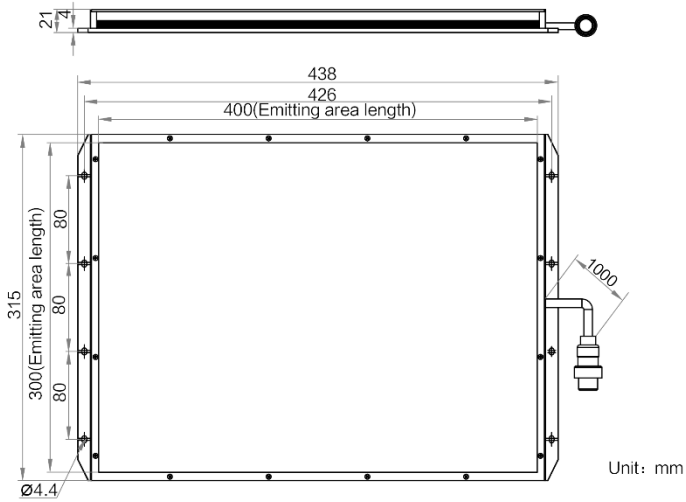
MV-LBSS-H-300-300-W



MV-LBSS-H-350-250-W



MV-LBSS-H-400-300-W/R



HIKROBOT

Hangzhou Hikrobot Co. Ltd.
en.hikrobotics.com

© Hangzhou Hikrobot Co., Ltd. All Rights Reserved.

Hangzhou Hikrobot does not tolerate any infringement. Any organization or individual may not imitate or reproduce in whole or in part of the content. The data herein is based on Hikrobot's internal evaluation. Actual data may vary depending on specific configuration and operating condition. The information herein is subject to change without notice. All the content has been checked conscientiously. Nevertheless, Hikrobot shall not be liable to damages resulting from errors, inconsistencies or omissions.