

MV-LE200

Digital Series Light Controller



Introduction

MV-LE200 digital light controller supports outputting multichannel light sources and different control modes of light source. It provides I/O connectors, device management interface, and corresponding light source controller software. The digital light controller helps users realize fast and convenient deployment of light source on site.

Available Model

- 4-channel, output power 200 W: MV-LE200-200W24-4TD
- 4-channel, output power 120 W: MV-LE200-120W24-4TD
- 6-channel, output power 90 W: MV-LE200-90W24-6D
- 2-channel, output power 48 W: MV-LE200-48W24-2D

Key Feature

- Supports different control modes of light source, including control panel and software.
- Supports using serial port or network interface to set parameters and manage the device.
- Provides multichannel inputs and outputs.
- Supports installation via slide rail or hole.
- Supports overcurrent, overload, short circuit protection.

Specification

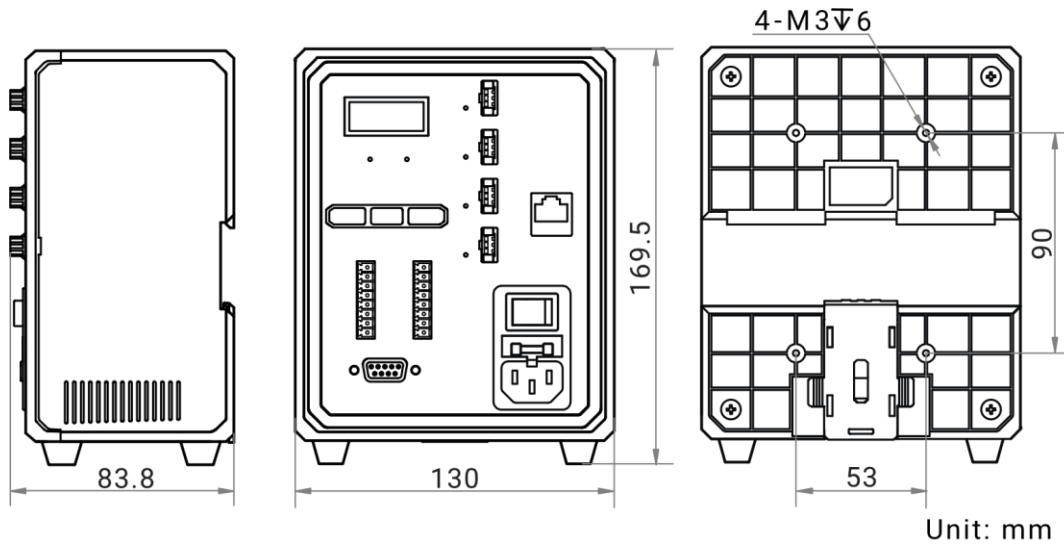
| Model | MV-LE200-200W24-4TD | MV-LE200-120W24-4TD |
|---------------------------------|--|----------------------------------|
| Performance | | |
| Drive mode | Digital, constant voltage | |
| Lighting mode | Continued, trigger | |
| PWM frequency | 125 kHz | |
| Flash output | Not supported | |
| Channel | 4-channel | |
| Dimming mode | Control panel (via pressing button), software (serial port or network interface) | |
| Brightness level | 0 to 255 | |
| Lighting response time | < 10 μ s | |
| Trigger mode | External trigger and internal trigger | |
| Communication protocol | UDP, Serial | |
| Applicable product | Ring lighting, bar lighting, flat lighting, coaxial lighting, etc. | |
| Electrical feature | | |
| Input voltage | 100 VAC to 240 VAC, 50 Hz/60 Hz | |
| Input current | 1.8 A (115 VAC), 1A (230 VAC) | 2.1 A (115 VAC), 1.2 A (230 VAC) |
| Output voltage | 24 VDC | |
| Output current | Max. 8.3 A | Max. 5 A |
| Output power | Max. 200 W | Max. 120 W |
| Output current for each channel | Max. 3 A | |
| Trigger in | High level 4.5 VDC to 24 VDC, low level 0 VDC to 2 VDC | |
| Trigger out | High level 10 VDC to 24 VDC, low level 0 VDC to 2 VDC | |
| Mechanical | | |
| Power supply interface | C13 220 VAC interface | |
| Console interface | RJ45 network interface, DB9F serial port | |
| Digital I/O | Opto-isolated input \times 4, opto-isolated output \times 4 | |
| Lighting output connector | SMR-03V-BC | |
| Dimension | 130 mm \times 83.8 mm \times 169.5 mm (5.1" \times 3.3" \times 6.7") | |
| Shell material | Plastic | |
| Weight | Approx. 733 g (1.6 lb.) | |
| Temperature | Working temperature: 0 $^{\circ}$ C to 40 $^{\circ}$ C (32 $^{\circ}$ F to 104 $^{\circ}$ F) Storage temperature: -20 $^{\circ}$ C to 60 $^{\circ}$ C (-4 $^{\circ}$ F to 140 $^{\circ}$ F) | |
| Humidity | 20% to 85% RH, non-condensing | |
| Ingress protection | IP30 | |
| Cooling mode | Fan cooling | |
| General | | |
| Certification | CE, KC | |

Specification

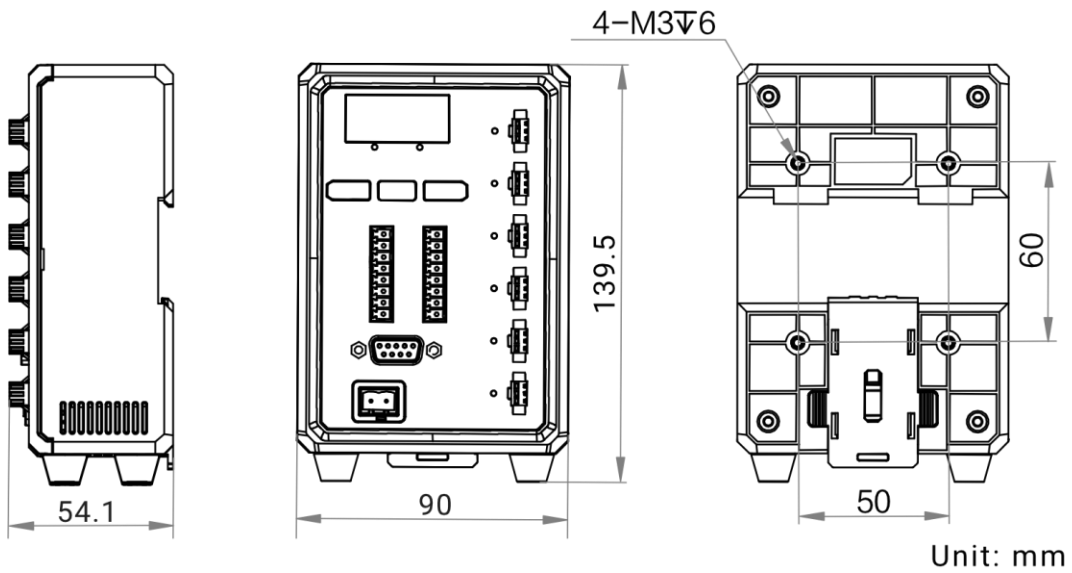
| Model | MV-LE200-90W24-6D | MV-LE200-48W24-2D |
|---------------------------------|--|---|
| Performance | | |
| Drive mode | Digital, constant voltage | |
| Lighting mode | Continued, trigger | |
| PWM frequency | 125 kHz | |
| Flash output | Not supported | |
| Channel | 6-channel | 2-channel |
| Dimming mode | Control panel (via pressing button), software (serial port) | |
| Brightness level | 0 to 255 | |
| Lighting response time | < 10 μ s | |
| Trigger mode | External trigger and internal trigger | |
| Communication protocol | Serial | |
| Applicable product | Ring lighting, bar lighting, flat lighting, coaxial lighting, etc. | |
| Electrical feature | | |
| Input voltage | 24 VDC | |
| Input current | 4.7 A | 2.5 A |
| Output voltage | 24 VDC | |
| Output current | Max. 3.75 A | Max. 2 A |
| Output power | Max. 90 W | Max. 48 W |
| Output current for each channel | Max. 3 A | Max. 2 A |
| Trigger in | High level 4.5 VDC to 24 VDC, low level 0 VDC to 2 VDC | |
| Trigger out | High level 10 VDC to 24 VDC, low level 0 VDC to 2 VDC | |
| Mechanical | | |
| Power supply interface | 5.08 mm \times 2 terminal block | |
| Console interface | DB9F serial port | |
| Digital I/O | Opto-isolated input \times 6 Opto-isolated output \times 2 | Opto-isolated input \times 2 Opto-isolated output \times 2 |
| Lighting output connector | SMR-03V-BC | |
| Dimension | 90 mm \times 54.1 mm \times 139.5 mm (3.5" \times 2.1" \times 5.5") | |
| Shell material | Plastic | |
| Weight | Approx. 205 g (0.5 lb.) | Approx. 188 g (0.4 lb.) |
| Temperature | Working temperature: 0 $^{\circ}$ C to 40 $^{\circ}$ C (32 $^{\circ}$ F to 104 $^{\circ}$ F) Storage temperature: -20 $^{\circ}$ C to 60 $^{\circ}$ C (-4 $^{\circ}$ F to 140 $^{\circ}$ F) | |
| Humidity | 20% to 85% RH, non-condensing | |
| Ingress protection | IP30 | |
| Cooling mode | Natural cooling | |
| General | | |
| Certification | CE, KC | |

Dimension

MV-LE200-200W24-4TD & MV-LE200-120W24-4TD:



MV-LE200-90W24-6D:



MV-LE200-48W24-2D:

