

MV-LRDS-H

Standard Ring-Type Lighting

MV-LRDS-H standard ring-type lighting, provide various sizes, irradiation angles specification and model, built in high-quality LED, while ensuring lighting concentration, improve inside dissipation design, ensure that the lighting works stably and efficiently.



Key Features

- High density LED array design.
- Various outer diameter sizes and irradiation angles are available for selection.
- Compact structure design, good heat dissipation design.
- Provide diffuse plate included, improve lighting uniformity.

Applicable Industry

Character recognition, color recognition, printing detection, incomplete and dirt detection.

Naming Rule

MV - LRDS - H - 45 - 60 - W

LRDS: Standard ring-type lighting

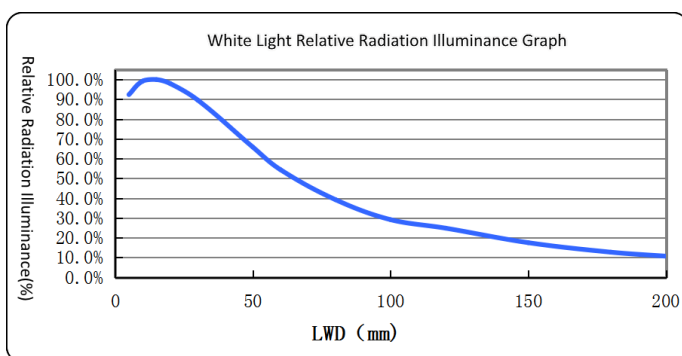
H: Hik style series

45: Outer dimensions(mm)

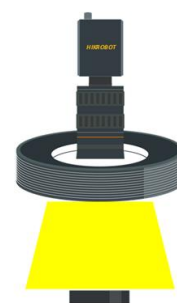
60: Irradiation angle(°)

W: Color(White, other customizable)

White Light Relative Radiation Illuminance Graph



Lighting Signal



Specification

Parameter Model	Performance			Mechanical						Electrical feature		
	Color	Best working distance	Irradiation angle	Dimension	Outer dimensions	Bore dimensions	Emitting area length	LED rows	Weight	Power consumption	Input voltage	Connector type
MV-LRDS-H-45-60-W	White	40 ~ 70 mm	60°	Φ45 mm × 20 mm	Φ45 mm	Φ16 mm	Φ38 mm	2	87 g	2.5 W	24 VDC	SMR-03V-B
MV-LRDS-H-45-90-W	White	80 ~ 90 mm	90°	Φ45 mm × 19 mm	Φ45 mm	Φ15 mm	Φ37.5 mm	2	95 g	2.1 W	24 VDC	SMR-03V-B
MV-LRDS-H-55-60-W	White	40 ~ 70 mm	60°	Φ55 mm × 20 mm	Φ55 mm	Φ25 mm	Φ48 mm	2	103 g	2.9 W	24 VDC	SMR-03V-B
MV-LRDS-H-55-90-W	White	80 ~ 90 mm	90°	Φ55 mm × 19 mm	Φ55 mm	Φ23 mm	Φ47 mm	2	118 g	3 W	24 VDC	SMR-03V-B
MV-LRDS-H-65-30-W	White	20 ~ 30 mm	30°	Φ65 mm × 21 mm	Φ65 mm	Φ30 mm	Φ53 mm	2	130 g	3.8 W	24 VDC	SMR-03V-B
MV-LRDS-H-65-60-W	White	60 ~ 70 mm	60°	Φ65 mm × 20 mm	Φ65 mm	Φ30 mm	Φ58 mm	2	124 g	3.2 W	24 VDC	SMR-03V-B
MV-LRDS-H-65-90-W	White	90 ~ 100 mm	90°	Φ65 mm × 19 mm	Φ65 mm	Φ30 mm	Φ57 mm	2	145 g	3.8 W	24 VDC	SMR-03V-B
MV-LRDS-H-80-15-W	White	20 ~ 30 mm	15°	Φ80 mm × 21 mm	Φ80 mm	Φ45 mm	Φ62 mm	2	172 g	5.1 W	24 VDC	SMR-03V-B
MV-LRDS-H-80-30-W	White	20 ~ 30 mm	30°	Φ80 mm × 21 mm	Φ80 mm	Φ45 mm	Φ68 mm	2	162 g	5.5 W	24 VDC	SMR-03V-B
MV-LRDS-H-80-60-W	White	60 ~ 70 mm	60°	Φ80 mm × 20 mm	Φ80 mm	Φ40 mm	Φ73 mm	3	170 g	6.5 W	24 VDC	SMR-03V-B
MV-LRDS-H-80-90-W	White	100 ~ 110 mm	90°	Φ80 mm × 20 mm	Φ80 mm	Φ35 mm	Φ72 mm	3	218 g	7.2 W	24 VDC	SMR-03V-B
MV-LRDS-H-95-00-W	White	0 ~ 10 mm	0°	Φ95 mm × 17 mm	Φ95 mm	Φ60 mm	Φ68 mm	1	181 g	3.4 W	24 VDC	SMR-03V-B
MV-LRDS-H-95-30-W	White	20 ~ 40 mm	30°	Φ95 mm × 21 mm	Φ95 mm	Φ60 mm	Φ83 mm	2	192 g	6.8 W	24 VDC	SMR-03V-B
MV-LRDS-H-95-60-W	White	60 ~ 100 mm	60°	Φ95 mm × 21 mm	Φ95 mm	Φ45 mm	Φ88 mm	4	235 g	10.4 W	24 VDC	SMR-03V-B
MV-LRDS-H-95-90-W	White	90 ~ 120 mm	90°	Φ95 mm × 20 mm	Φ95 mm	Φ45 mm	Φ87 mm	4	292 g	11.4 W	24 VDC	SMR-03V-B
MV-LRDS-H-105-00-W	White	0 ~ 10 mm	0°	Φ105 mm × 15 mm	Φ105 mm	Φ70 mm	Φ74 mm	1	169.2 g	3.4 W	24 VDC	SMR-03V-B
MV-LRDS-H-105-30-W	White	20 ~ 40 mm	30°	Φ105 mm × 26 mm	Φ105 mm	Φ62 mm	Φ91 mm	3	241.7 g	10.6 W	24 VDC	SMR-03V-B
MV-LRDS-H-105-60-W	White	90 ~ 120 mm	60°	Φ105 mm × 25 mm	Φ105 mm	Φ45 mm	Φ91 mm	5	323.6 g	13 W	24 VDC	SMR-03V-B
MV-LRDS-H-105-90-W	White	90 ~ 120 mm	90°	Φ105 mm × 20 mm	Φ105 mm	Φ43 mm	Φ92 mm	5	297.1 g	14.4 W	24 VDC	SMR-03V-B
MV-LRDS-H-120-00-W	White	0 ~ 10 mm	0°	Φ120 mm × 15 mm	Φ120 mm	Φ87 mm	Φ87 mm	1	207.3 g	4.2 W	24 VDC	SMR-03V-B
MV-LRDS-H-120-30-W	White	20 ~ 40 mm	30°	Φ120 mm × 30 mm	Φ120 mm	Φ74 mm	Φ106 mm	3	317.3 g	12.2 W	24 VDC	SMR-03V-B
MV-LRDS-H-120-45-W	White	60 ~ 80 mm	45°	Φ120 mm × 27 mm	Φ120 mm	Φ68 mm	Φ106 mm	4	333 g	15.6 W	24 VDC	SMR-03V-B
MV-LRDS-H-120-60-W	White	90 ~ 110 mm	60°	Φ120 mm × 25 mm	Φ120 mm	Φ60 mm	Φ106 mm	5	372.1 g	15.8 W	24 VDC	SMR-03V-B
MV-LRDS-H-120-75-W	White	90 ~ 110 mm	75°	Φ120 mm × 21 mm	Φ120 mm	Φ60 mm	Φ106 mm	4	332.2 g	14.8 W	24 VDC	SMR-03V-B
MV-LRDS-H-120-90-W	White	90 ~ 120 mm	90°	Φ120 mm × 20 mm	Φ120 mm	Φ60 mm	Φ106 mm	4	343.3 g	14.8 W	24 VDC	SMR-03V-B
MV-LRDS-H-140-15-W	White	20 ~ 30 mm	15°	Φ140 mm × 25 mm	Φ140 mm	Φ105 mm	Φ121 mm	2	316.9 g	10.1 W	24 VDC	SMR-03V-B
MV-LRDS-H-140-45-W	White	60 ~ 80 mm	45°	Φ140 mm × 27 mm	Φ140 mm	Φ90 mm	Φ126 mm	4	407.3 g	19.4 W	24 VDC	SMR-03V-B
MV-LRDS-H-140-90-W	White	90~120 mm	90°	Φ140 mm × 20 mm	Φ140 mm	Φ70 mm	Φ126 mm	5	441.5g	21.5 W	24 VDC	SMR-03V-B
MV-LRDS-H-160-00-W	White	0~10 mm	0°	Φ160 mm × 15 mm	Φ160 mm	Φ120 mm	Φ127 mm	1	288.7 g	5.9 W	24 VDC	SMR-03V-B
MV-LRDS-H-160-30-W	White	20~40 mm	30°	Φ160 mm × 30 mm	Φ160 mm	Φ110 mm	Φ140 mm	3	520.2 g	16.9 W	24 VDC	SMR-03V-B
MV-LRDS-H-160-60-W	White	70 ~ 90 mm	60°	Φ160 mm × 25 mm	Φ160 mm	Φ95 mm	Φ146 mm	5	524.5 g	22.7 W	24 VDC	SMR-03V-B
MV-LRDS-H-160-90-W	White	120 ~ 140 mm	90°	Φ160 mm × 20 mm	Φ160 mm	Φ90 mm	Φ146 mm	5	552.1 g	26.2 W	24 VDC	SMR-03V-B
MV-LRDS-H-180-00-W	White	0 ~ 10 mm	0°	Φ180 mm × 15 mm	Φ180 mm	Φ140 mm	Φ147 mm	1	324.3 g	13.6 W	24 VDC	SMR-03V-B
MV-LRDS-H-180-60-W	White	70 ~ 90 mm	60°	Φ180 mm × 25 mm	Φ180 mm	Φ115 mm	Φ166 mm	5	608.4 g	31.3 W	24 VDC	SMR-03V-B
MV-LRDS-H-180-90-W	White	140 ~ 160 mm	90°	Φ180 mm × 20 mm	Φ180 mm	Φ100 mm	Φ166 mm	6	705.9 g	35.5 W	24 VDC	SMR-03V-B
MV-LRDS-H-200-00-W	White	0 ~ 10 mm	0°	Φ200 mm × 15 mm	Φ200 mm	Φ130 mm	Φ167 mm	1	353.4 g	15.2 W	24 VDC	SMR-03V-B
MV-LRDS-H-200-30-W	White	20 ~ 40 mm	30°	Φ200 mm × 30 mm	Φ140 mm	Φ70 mm	Φ126 mm	3	649.7 g	22 W	24 VDC	SMR-03V-B

Specification

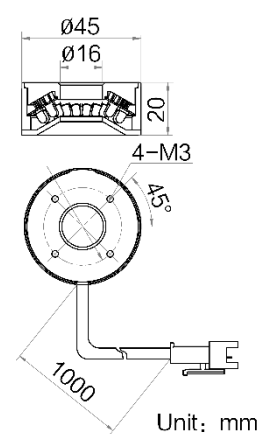
Parameter	Performance			Mechanical						Electrical feature		
	Color	Best working distance	Irradiation angle	Dimension	Outer dimensions	Bore dimensions	Emitting area length	LED rows	Weight	Power consumption	Input voltage	Connector type
MV-LRDS-H-200-90-W	White	180 ~ 200 mm	90°	Φ200 mm × 20 mm	Φ200 mm	Φ115 mm	Φ186 mm	7	830.4 g	46 W	24 VDC	SMR-03V-B
MV-LRDS-H-230-15-W	White	20 ~ 30 mm	15°	Φ230 mm × 35 mm	Φ230 mm	Φ180 mm	Φ208 mm	4	928.2 g	35.5 W	24 VDC	SMR-03V-B

Other Parameter

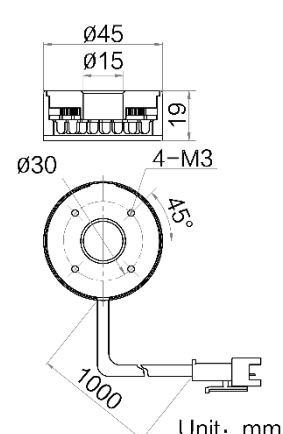
Parameter	Model	MV-LRDS-H
Parameter		Standard Ring-Type Lighting
Performance		
Color temperature		6000 ~ 7500K
Mechanical		
Cable length		1 m
Cooling mode		Natural cooling
Temperature		Working temperature: 0 ~ 40°C Storage temperature: -20 ~ 60°C
Humidity		20 ~ 90%RH, non-condensing
Diffuse plate included		PMMA

Dimension

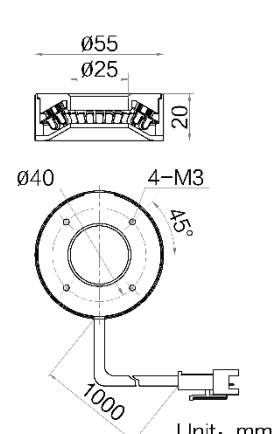
MV-LRDS-H-45-60-W



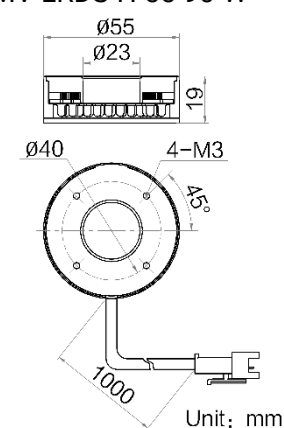
MV-LRDS-H-45-90-W



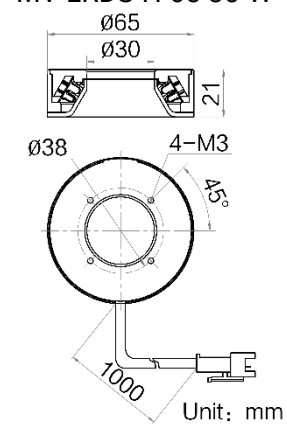
MV-LRDS-H-55-60-W



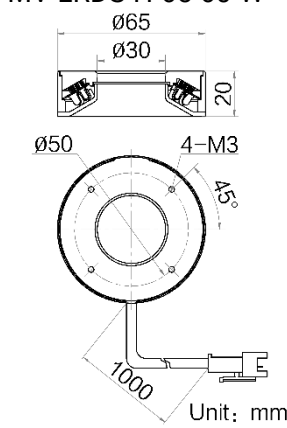
MV-LRDS-H-55-90-W



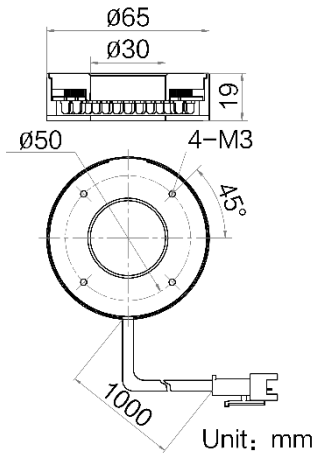
MV-LRDS-H-65-30-W



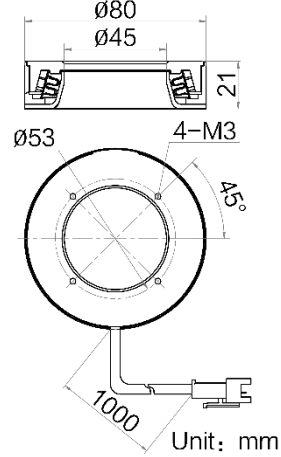
MV-LRDS-H-65-60-W



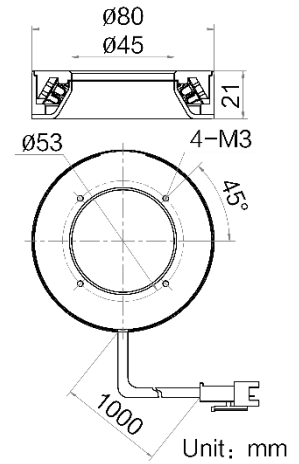
MV-LRDS-H-65-90-W



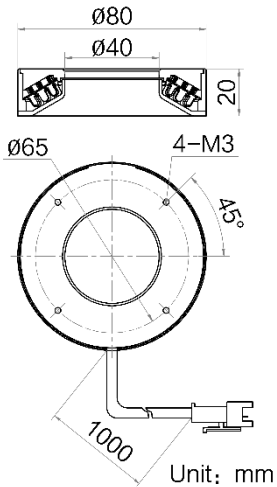
MV-LRDS-H-80-15-W



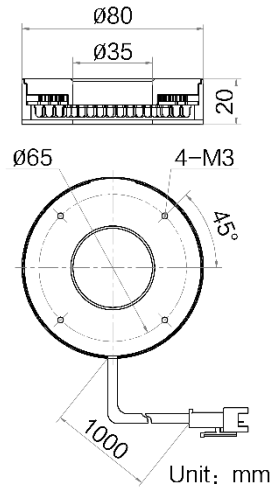
MV-LRDS-H-80-30-W



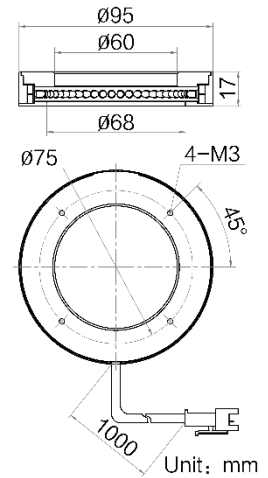
MV-LRDS-H-80-60-W



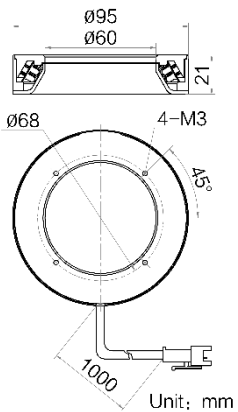
MV-LRDS-H-80-90-W



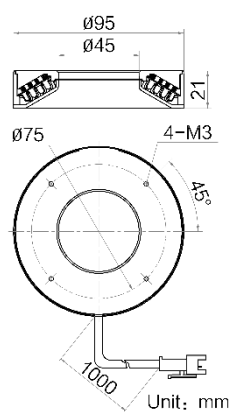
MV-LRDS-H-95-00-W



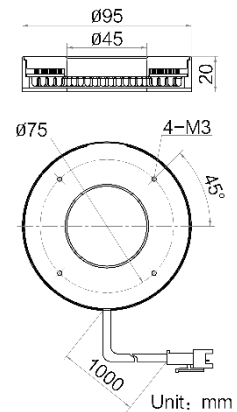
MV-LRDS-H-95-30-W



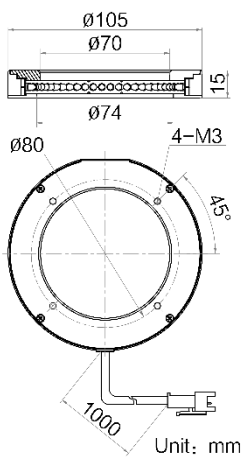
MV-LRDS-H-95-60-W



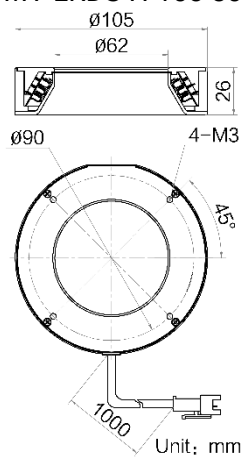
MV-LRDS-H-95-90-W



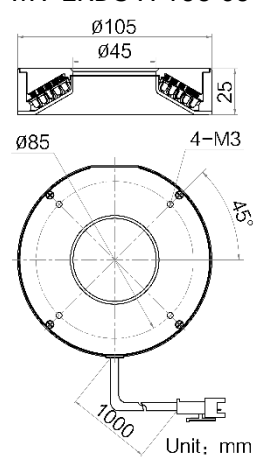
MV-LRDS-H-105-00-W



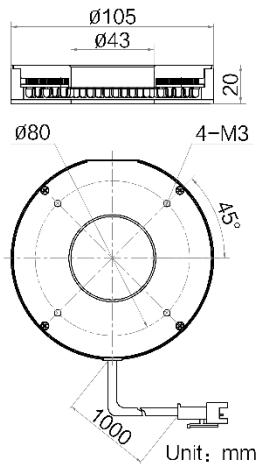
MV-LRDS-H-105-30-W



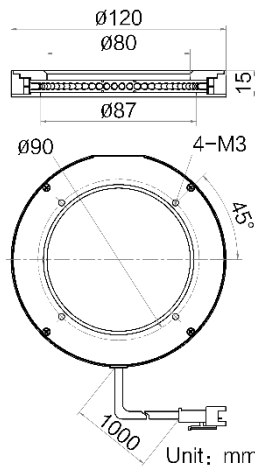
MV-LRDS-H-105-60-W



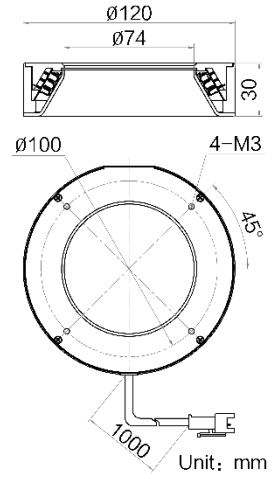
MV-LRDS-H-105-90-W



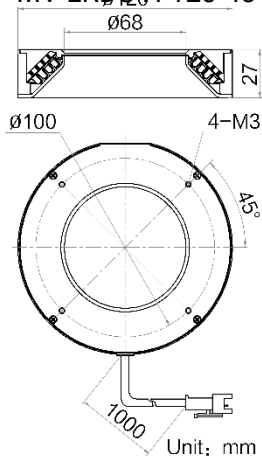
MV-LRDS-H-120-00-W



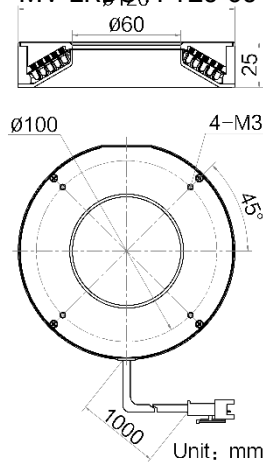
MV-LRDS-H-120-30-W



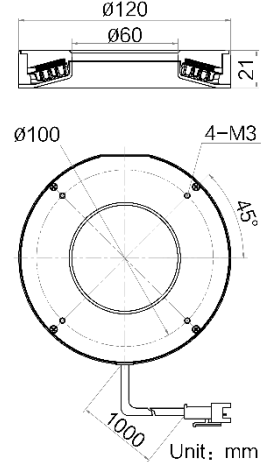
MV-LRDS-H-120-45-W



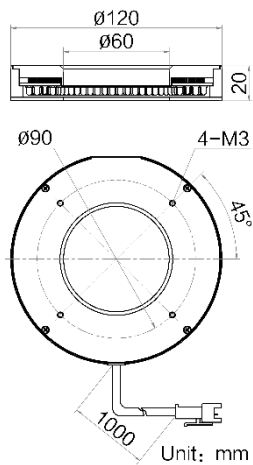
MV-LRDS-H-120-60-W



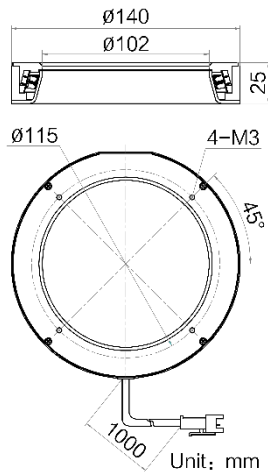
MV-LRDS-H-120-75-W



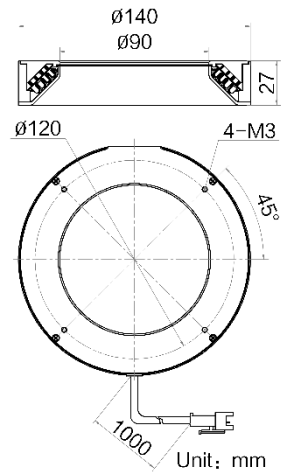
MV-LRDS-H-120-90-W



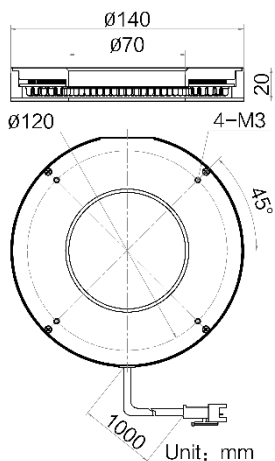
MV-LRDS-H-140-15-W



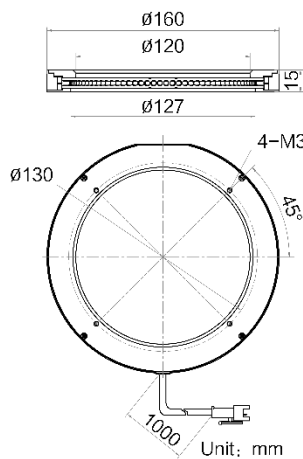
MV-LRDS-H-140-45-W



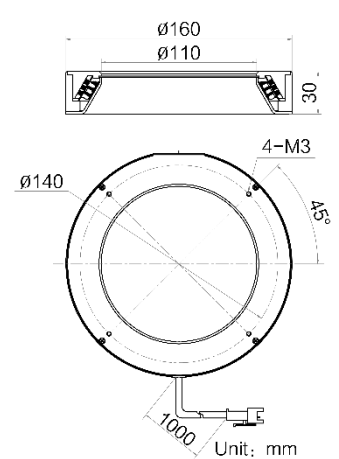
MV-LRDS-H-140-90-W



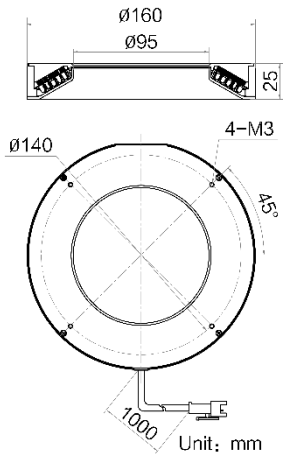
MV-LRDS-H-160-00-W



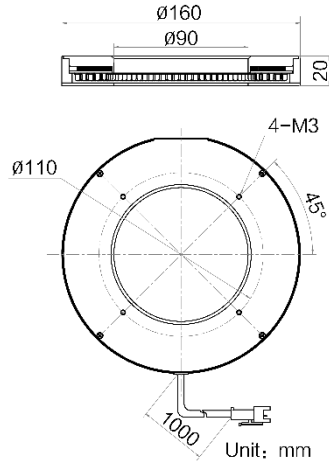
MV-LRDS-H-160-30-W



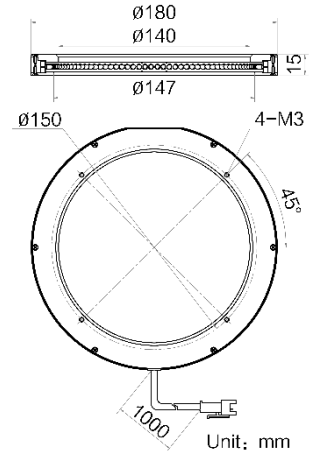
MV-LRDS-H-160-60-W



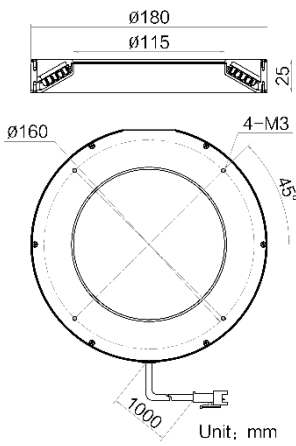
MV-LRDS-H-160-90-W



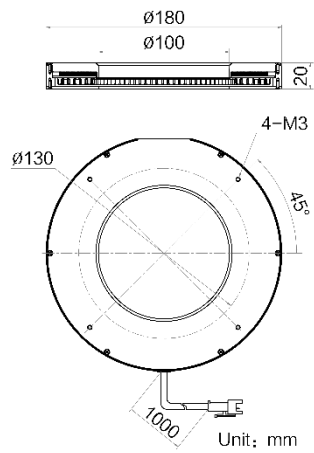
MV-LRDS-H-180-00-W



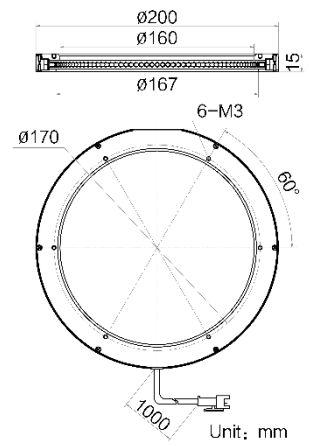
MV-LRDS-H-180-60-W



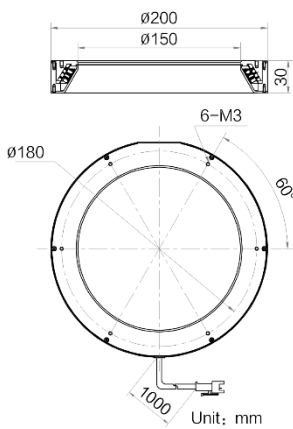
MV-LRDS-H-180-90-W



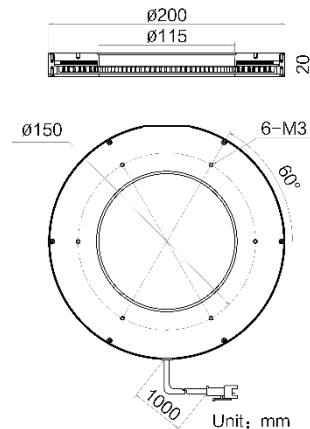
MV-LRDS-H-200-00-W



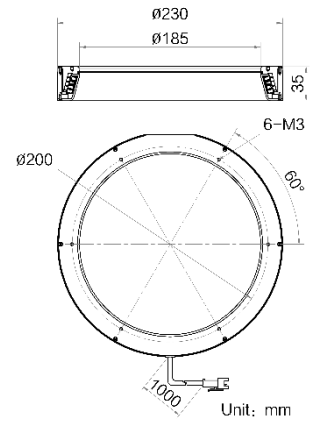
MV-LRDS-H-200-30-W



MV-LRDS-H-200-90-W



MV-LRDS-H-230-15-W



HIKROBOT

Hangzhou Hikrobot Co. Ltd.
en.hikrobotics.com

© Hangzhou Hikrobot Co., Ltd. All Rights Reserved.
Hangzhou Hikrobot does not tolerate any infringement. Any organization or individual may not imitate or reproduce in whole or in part of the content. The data herein is based on Hikrobot's internal evaluation. Actual data may vary depending on specific configuration and operating condition. The information herein is subject to change without notice. All the content has been checked conscientiously. Nevertheless, Hikrobot shall not be liable to damages resulting from errors, inconsistencies or omissions.