

# MV-LRSS-H

## Shadowless Ring-Type Lighting

MV-LRSS-H shadowless ring-type lighting adopts special diffuse plate included, achieve uniform range irradiation with high degrees of freedom, chip LED with built-in large luminous angle, and provide a variety of sizes for selection.



### Key Features

- High uniformity illumination.
- Various sizes of outer diameter for selection.

### Applicable Industry

Character recognition, color recognition, printing detection, incomplete and dirt detection.

### Naming Rule

#### MV - LRSS - H - 80 - W

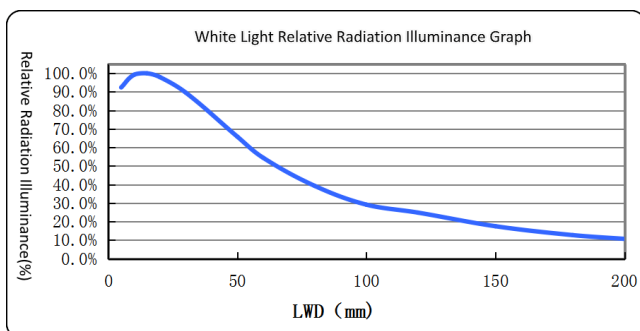
**LRSS:** Shadowless ring-type lighting

**H:** Hik style series

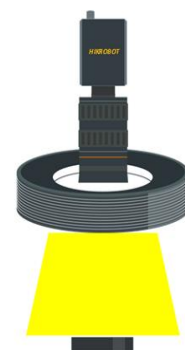
**80:** Outer dimensions(mm)

**W:** Color(White, other customizable)

### White Light Relative Radiation Illuminance Graph



### Lighting Signal



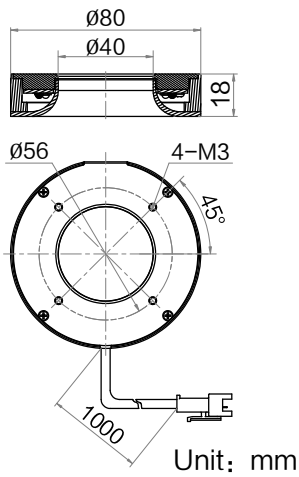
Parameter	Performance		Mechanical				Electrical feature			
	Model	Color	Best working distance	Dimension	Bore dimensions	Emitting area length	LED rows	Weight	Power consumption	Input voltage
MV-LRSS-H-80-W	White	30 ~ 50 mm	Φ80 mm × 18 mm	Φ40 mm	Φ66 mm	1	131 g	8.7 W	24 VDC	SMR-03V-B
MV-LRSS-H-120-W	White	30 ~ 60 mm	Φ120 mm × 18 mm	Φ75 mm	Φ106 mm	1	224 g	13.1 W	24 VDC	SMR-03V-B
MV-LRSS-H-160-W	White	30 ~ 80 mm	Φ160 mm × 18 mm	Φ116 mm	Φ146 mm	1	298 g	17.4 W	24 VDC	SMR-03V-B
MV-LRSS-H-200-W	White	30 ~ 80 mm	Φ200 mm × 34 mm	Φ148 mm	Φ186 mm	1	564 g	21.8 W	24 VDC	SMR-03V-B
MV-LRSS-H-250-W	White	60 ~ 120 mm	Φ250 mm × 34 mm	Φ190 mm	Φ236 mm	1	763 g	26.2 W	24 VDC	SMR-03V-B
MV-LRSS-H-300-W	White	60 ~ 120 mm	Φ300 mm × 34 mm	Φ248 mm	Φ286 mm	1	870 g	30.5 W	24 VDC	SMR-03V-B

## Other Parameter

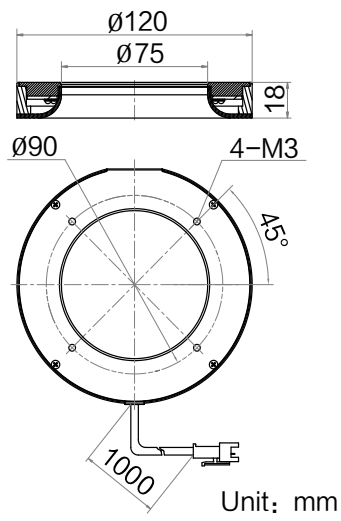
Model	MV-LRSS-H
Parameter	Shadowless Ring-Type Lighting
<b>Performance</b>	
Color temperature	6000 ~ 7000K
<b>Mechanical</b>	
Cable length	1 m
Cooling mode	Natural cooling
Temperature	Working temperature: 0 ~ 40°C Storage temperature: -20 ~ 60°C
Humidity	20 ~ 90%RH, non-condensing
Diffuse plate included	PMMA

## Dimension

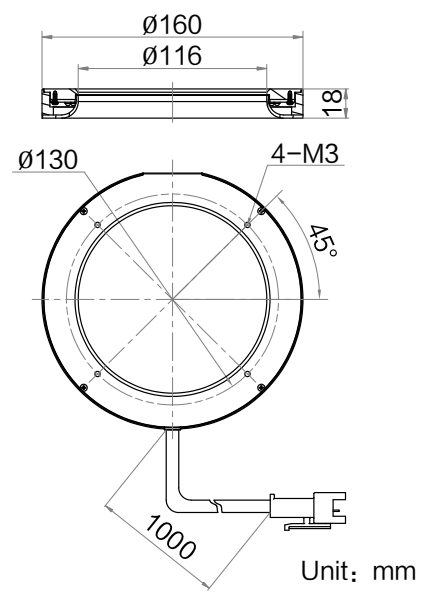
MV-LRSS-H-80-W



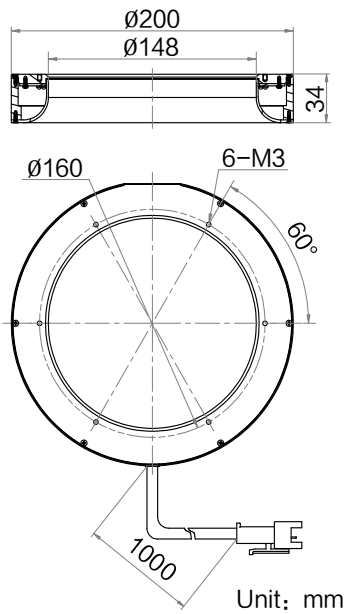
MV-LRSS-H-120-W



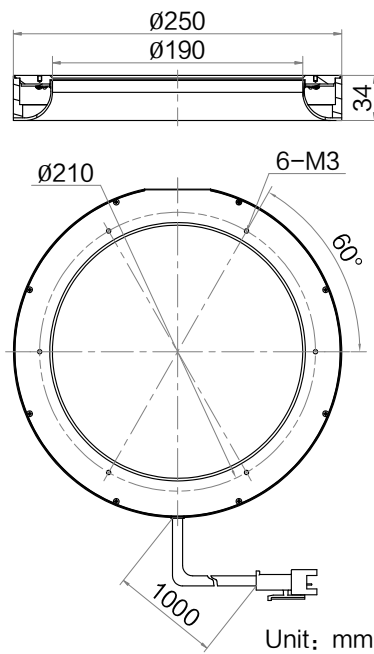
MV-LRSS-H-160-W



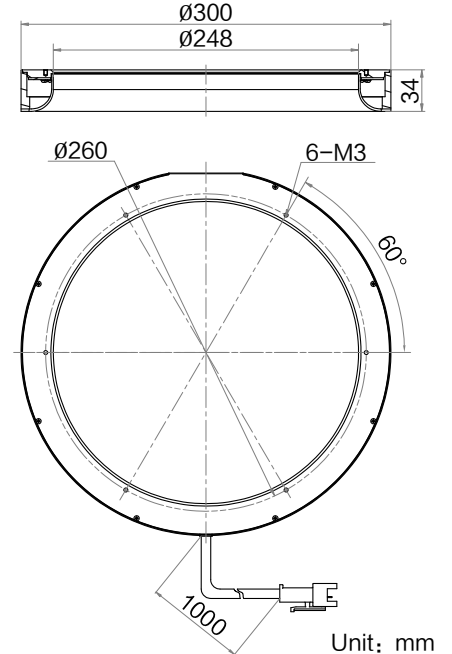
MV-LRSS-H-200-W



MV-LRSS-H-250-W



MV-LRSS-H-300-W



# HIKROBOT

Hangzhou Hikrobot Co. Ltd.  
en.hikrobotics.com

© Hangzhou Hikrobot Co., Ltd. All Rights Reserved.

Hangzhou Hikrobot does not tolerate any infringement. Any organization or individual may not imitate or reproduce in whole or in part of the content. The data herein is based on Hikrobot's internal evaluation. Actual data may vary depending on specific configuration and operating condition. The information herein is subject to change without notice. All the content has been checked conscientiously. Nevertheless, Hikrobot shall not be liable to damages resulting from errors, inconsistencies or omissions.