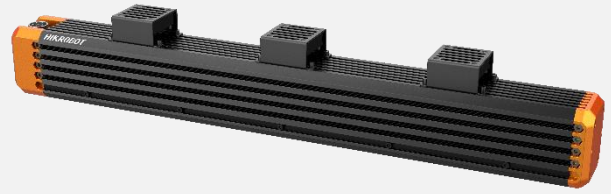


# MV-LTDS-H

## Linescan-Type Lighting

MV-LTDS-H linescan-type lighting series adopts high brightness and high power LED, combination of structural heat dissipation and fan heat dissipation, provide good heat dissipation and working life, flexible installation, efficient focusing.



### Key Features

- The high-power LED light bead is designed with a high condensing structure, and the illumination on the surface of the lighting can reach 1 million lux.
- The enclosure is equipped with a fan for heat dissipation, which improves the working life of the lighting.
- Multi-side for flexible installation.

### Applicable Industry

Glass scratch detection, printed character detection, mobile screen detection, printed circuit board detection.

### Naming Rule

**MV - LTDS - H - 100 - W**

**LTDS**: Linescan-type lighting

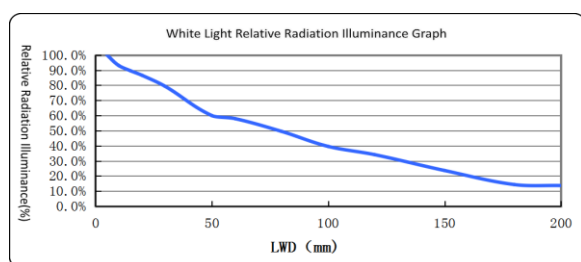
**H**: Hik style series

**100**: Emitting area length(mm)

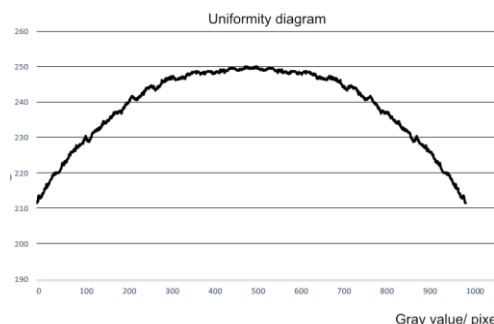
**W**: Color(White, other customizable)

### White Light Relative

#### Radiation Illuminance Graph



#### Uniformity Diagram



### Lighting Signal



## Specification

Parameter	Performance		Mechanical				Electrical feature		
	Color	Best working distance	Dimension	Emitting area dimensions	LED rows	Weight	Power consumption	Input voltage	Connector type
Model									
MV-LTDS-H-100-W	White	10~200 mm	150 mm × 58 mm × 90.5 mm	100 mm × 17 mm	1	1.09 kg	42 W	48 VDC	19M-8H
MV-LTDS-H-200-W	White	10~200 mm	250 mm × 58 mm × 90.5 mm	200 mm × 17 mm	1	1.6 kg	84 W	48 VDC	19M-8H
MV-LTDS-H-300-W	White	10~200 mm	350 mm × 58 mm × 90.5 mm	300 mm × 17 mm	1	2.11 kg	126 W	48 VDC	19M-8H
MV-LTDS-H-400-W	White	10~200 mm	450 mm × 58 mm × 90.5 mm	400 mm × 17 mm	1	2.62 kg	168 W	48 VDC	19M-8H
MV-LTDS-H-500-W	White	10~200 mm	550 mm × 58 mm × 90.5 mm	500 mm × 17 mm	1	3.14 kg	210 W	48 VDC	19M-8H
MV-LTDS-H-600-W	White	10~200 mm	650 mm × 58 mm × 90.5 mm	600 mm × 17 mm	1	3.65 kg	252 W	48 VDC	19M-8H
MV-LTDS-H-700-W	White	10~200 mm	750 mm × 58 mm × 90.5 mm	700 mm × 17 mm	1	4.16 kg	294 W	48 VDC	19M-8H
MV-LTDS-H-800-W	White	10~200 mm	850 mm × 58 mm × 90.5 mm	800 mm × 17 mm	1	4.68 kg	336 W	48 VDC	19M-8H
MV-LTDS-H-900-W	White	10~200 mm	970 mm × 58 mm × 90.5 mm	900 mm × 17 mm	1	5.19 kg	378 W	48 VDC	Dual-channel 19M-8H
MV-LTDS-H-1000-W	White	10~200 mm	1070 mm × 58 mm × 90.5 mm	1000 mm × 17 mm	1	5.71 kg	420 W	48 VDC	Dual-channel 19M-8H
MV-LTDS-H-1100-W	White	10~200 mm	1170 mm × 58 mm × 90.5 mm	1100 mm × 17 mm	1	6.22 kg	462 W	48 VDC	Dual-channel 19M-8H
MV-LTDS-H-1200-W	White	10~200 mm	1270 mm × 58 mm × 90.5 mm	1200 mm × 17 mm	1	6.73 kg	504 W	48 VDC	Dual-channel 19M-8H
MV-LTDS-H-1300-W	White	10~200 mm	1370 mm × 58 mm × 90.5 mm	1300 mm × 17 mm	1	7.25 kg	546 W	48 VDC	Dual-channel 19M-8H
MV-LTDS-H-1400-W	White	10~200 mm	1470 mm × 58 mm × 90.5 mm	1400 mm × 17 mm	1	7.76 kg	588 W	48 VDC	Dual-channel 19M-8H
MV-LTDS-H-1500-W	White	10~200 mm	1570 mm × 58 mm × 90.5 mm	1500 mm × 17 mm	1	8.27 kg	630 W	48 VDC	Dual-channel 19M-8H

## Other Parameter

Model	MV-LTDS-H
Parameter	Linescan-Type Lighting
<b>Performance</b>	
Color temperature	6000 ~ 7000K
Center illuminance	≥100W Lux@WD=50 mm
<b>Mechanical</b>	
Cable length	Additional options
Cooling mode	Fan cooling
Temperature	Working temperature: 0 ~ 40°C Storage temperature: -20 ~ 60°C
Humidity	20 ~ 90%RH, non-condensing

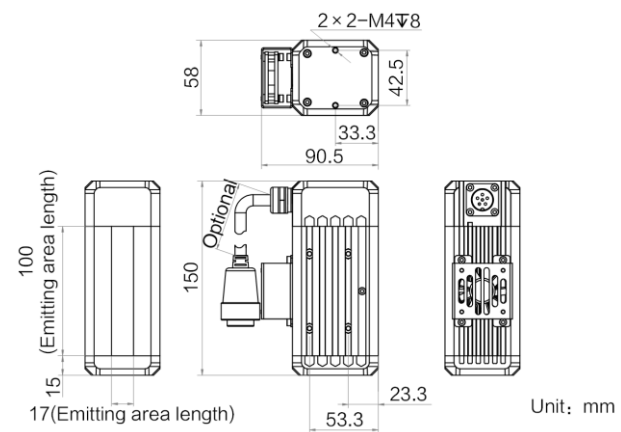
## Accessory:

Optional

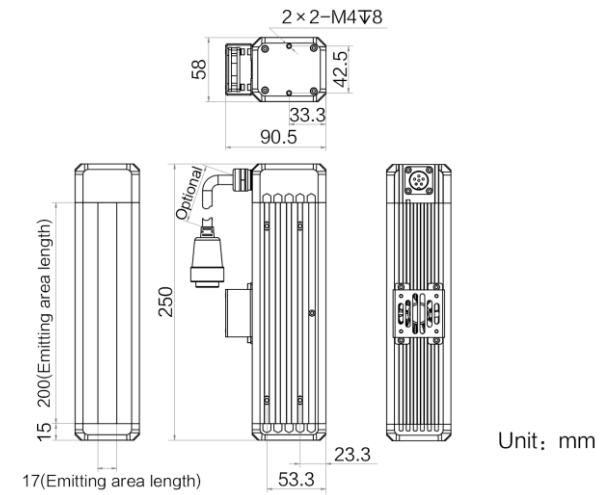
MV-LE201-200W48-2TD 200W, standard light controller	MV-LE201-500W48-2TD 500W, standard light controller	MV-LE201-750W48-2TD 750W, standard light controller	MV-LW-H lighting private cables, 19M-8A to 19M-8A, grey, the length is 1/3/5/10/15/30 metres
			

## Dimension

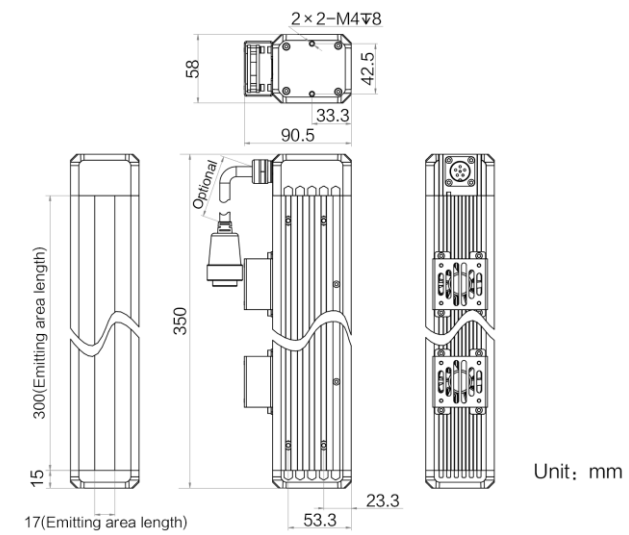
MV-LTDS-H-100-W



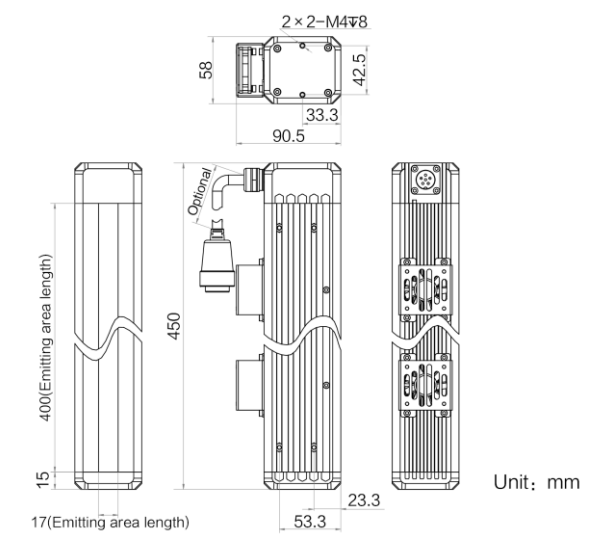
MV-LTDS-H-200-W



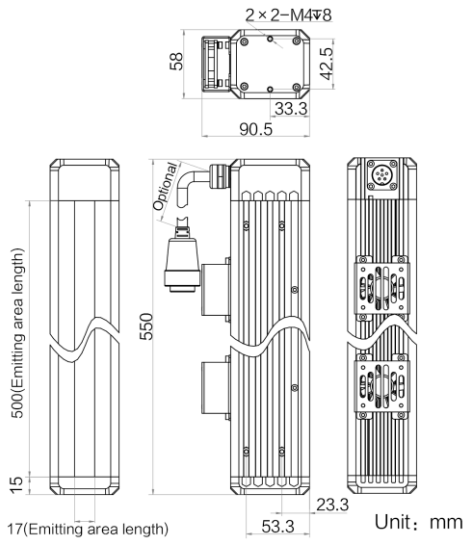
MV-LTDS-H-300-W



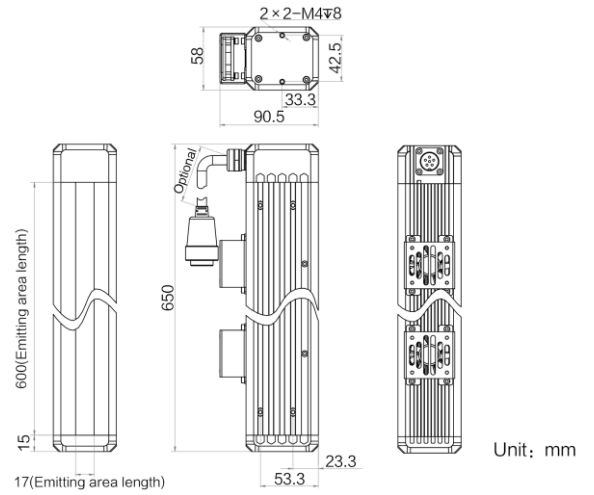
MV-LTDS-H-400-W



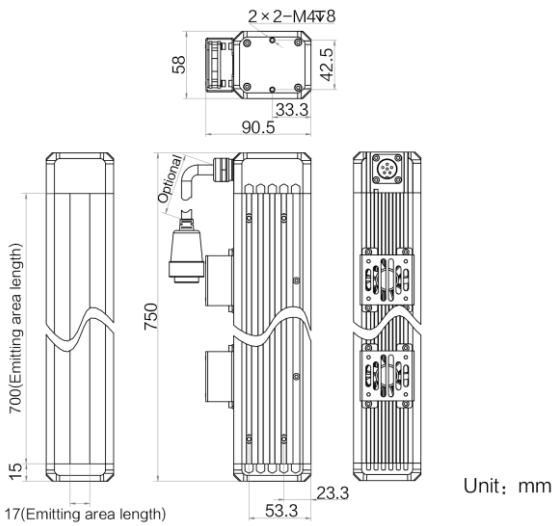
MV-LTDS-H-500-W



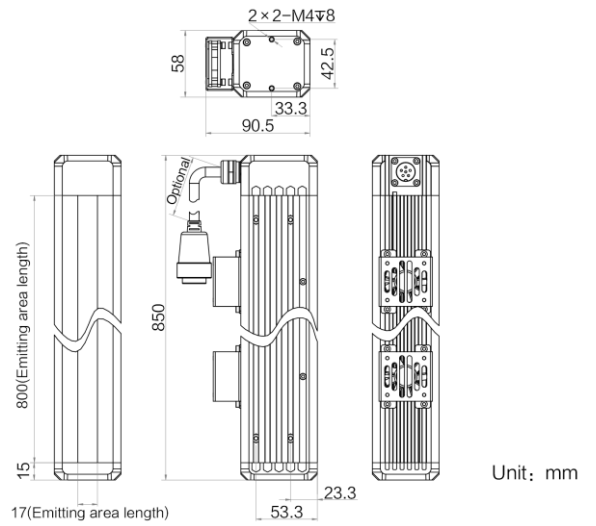
MV-LTDS-H-600-W



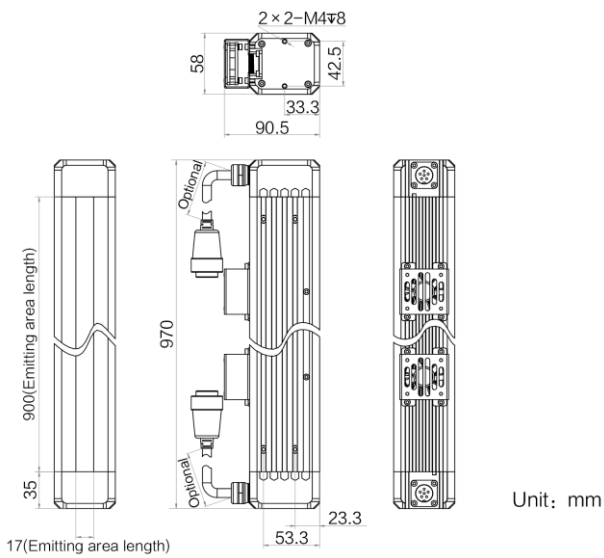
MV-LTDS-H-700-W



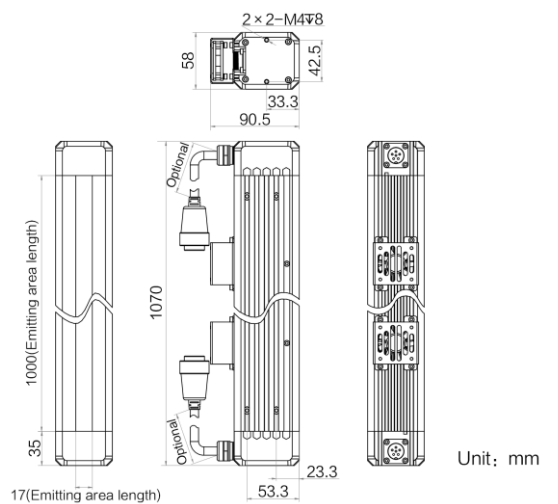
MV-LTDS-H-800-W



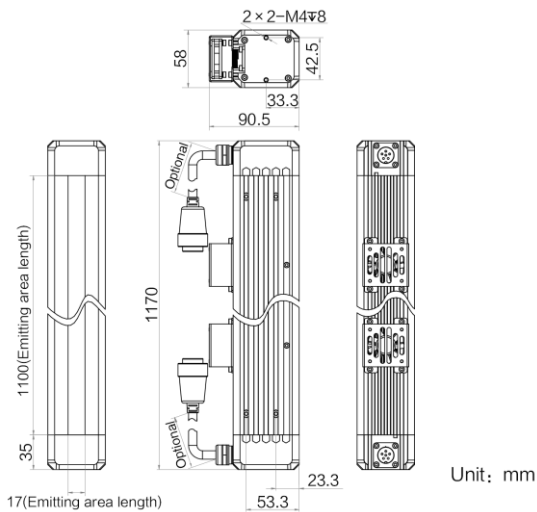
MV-LTDS-H-900-W



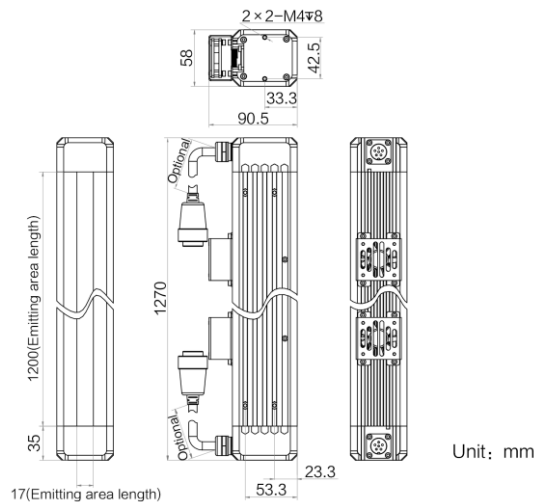
MV-LTDS-H-1000-W



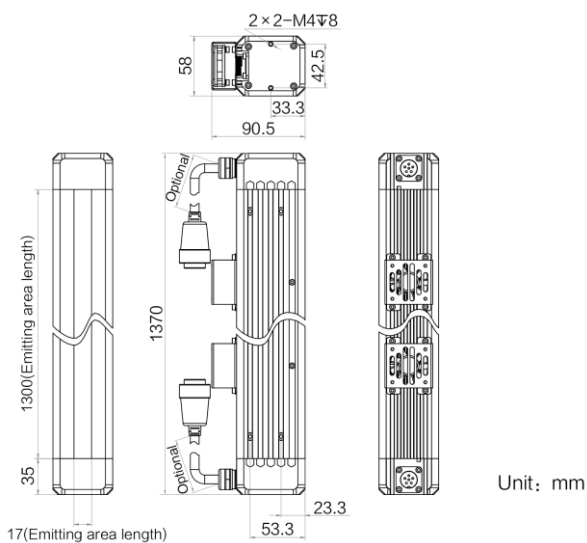
### MV-LTDS-H-1100-W



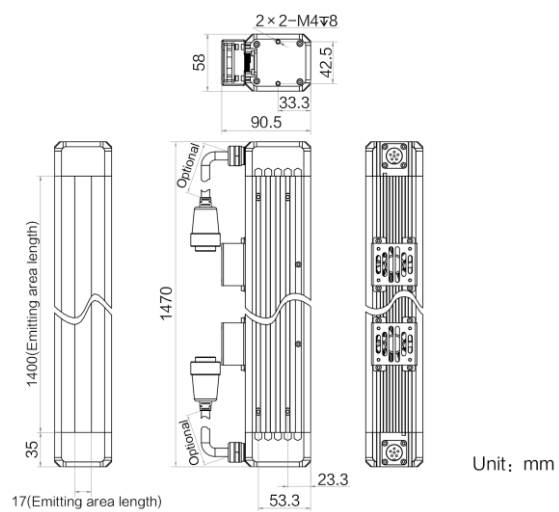
### MV-LTDS-H-1200-W



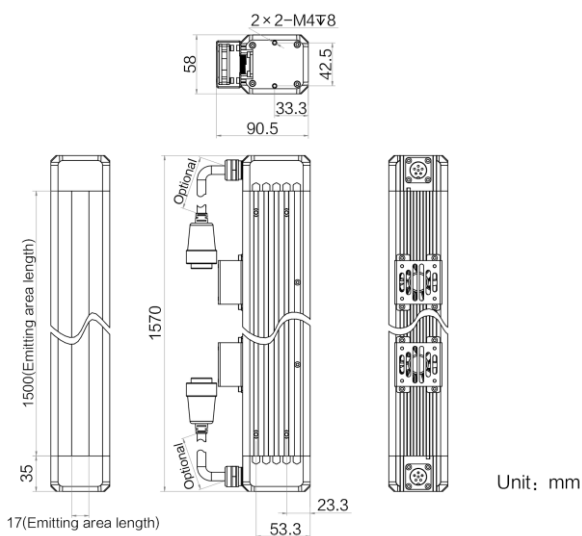
### MV-LTDS-H-1300-W



### MV-LTDS-H-1400-W



### MV-LTDS-H-1500-W



**HIKROBOT**

Hangzhou Hikrobot Co. Ltd.  
en.hikrobotics.com

© Hangzhou Hikrobot Co., Ltd. All Rights Reserved.

Hangzhou Hikrobot does not tolerate any infringement. Any organization or individual may not imitate or reproduce in whole or in part of the content. The data herein is based on Hikrobot's internal evaluation. Actual data may vary depending on specific configuration and operating condition. The information herein is subject to change without notice. All the content has been checked conscientiously. Nevertheless, Hikrobot shall not be liable to damages resulting from errors, inconsistencies or omissions.