

MVL-AF3528M-M42A
Φ29mm 35mm Focal Length FA LENS

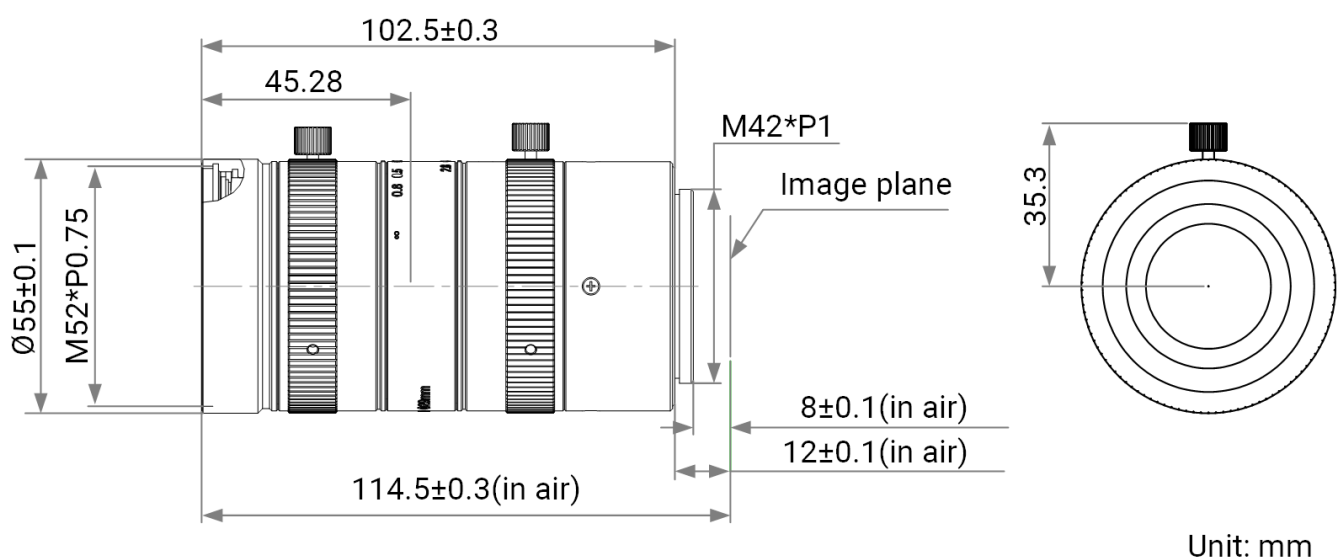
Designed for the machine vision industry, the high-resolution large format fixed focus lens has excellent imaging quality and high picture consistency, which can meet the needs of high resolution machine vision industry applications.



Key Features

- High precision lens for 8K7U line array cameras
- Excellent picture sharpness consistency, low distortion
- Superior resolution at maximum aperture of F2.8
- Maximum image size Φ29mm

Dimension



Specification

Parameter	Model	MVL-AF3528M-M42A
	Fixed focal length, Manual iris, APS-C Lens	
Performance		
Focal Length	35 mm	
F-Number	F2.8 ~ F16	
Image Size	Φ29 mm	
Optical Distortion	-0.16%	
Magnification Range	0.164x ~ 0.001x	
Working Distance Range	200 ~ inf ±5 mm	
Mechanical		
Iris Control	Manual	
Focus Control	Manual	
Filter Thread	M52 × P0.75	
Mount	M42 × P1	
Flange Back Length	12 mm	
Dimension	Φ55 × 102.5 mm	
Temperature	-10 ~ 50°C	
General		
Certification	RoHS2.0	

HIKROBOT

Hangzhou Hikrobot Co. Ltd.
en.hikrobotics.com

© Hangzhou Hikrobot Co., Ltd. All Rights Reserved.

Hangzhou Hikrobot does not tolerate any infringement. Any organization or individual may not imitate or reproduce in whole or in part of the content. The data herein is based on Hikrobot's internal evaluation. Actual data may vary depending on specific configuration and operating condition. The information herein is subject to change without notice. All the content has been checked conscientiously. Nevertheless, Hikrobot shall not be liable to damages resulting from errors, inconsistencies or omissions.