

MVL-HF0628M-6MPE

1/1.8" 6mm 6MP FA LENS

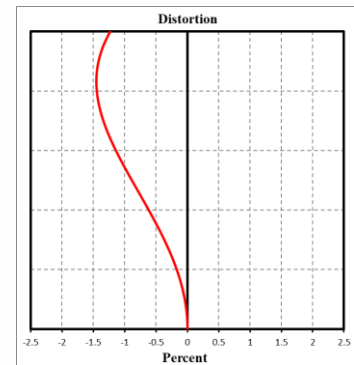
HF-E series FA Lens are optimized for machine vision light sources and sensor, with high resolution, excellent image quality, high transmittance and good stability. Featured with fixed focal length, manual aperture and compact size, it is suitable for machine vision industry applications and ideal for industrial cameras.



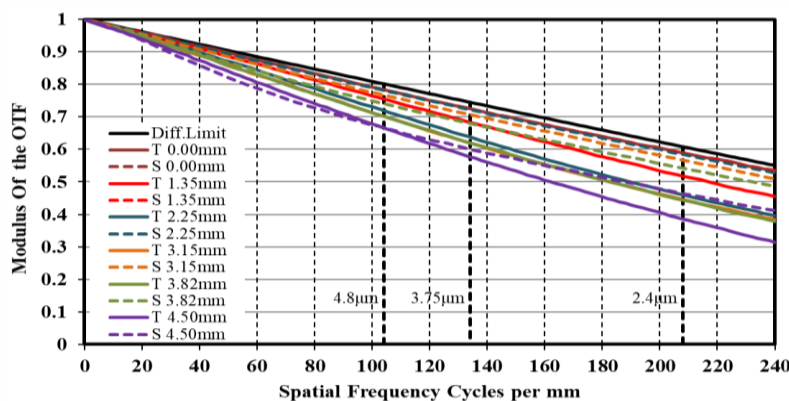
Key Features

- Higher image clarity and contrast ratio
- Ultra-low distortion and higher relative illumination rate
- Good optical performance at ultra-short working distance
- Compact design, convenient for device integration

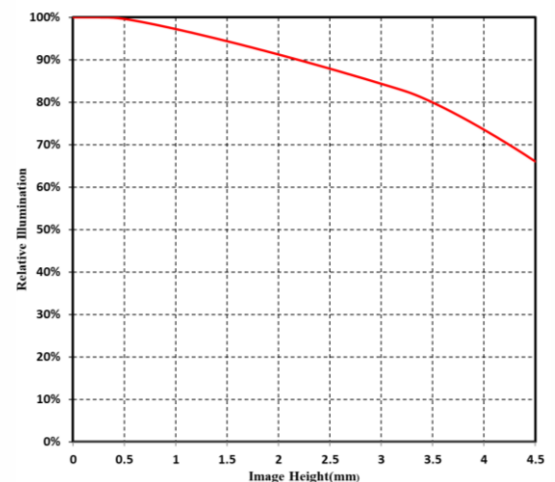
Distortion



MTF



Relative Illumination



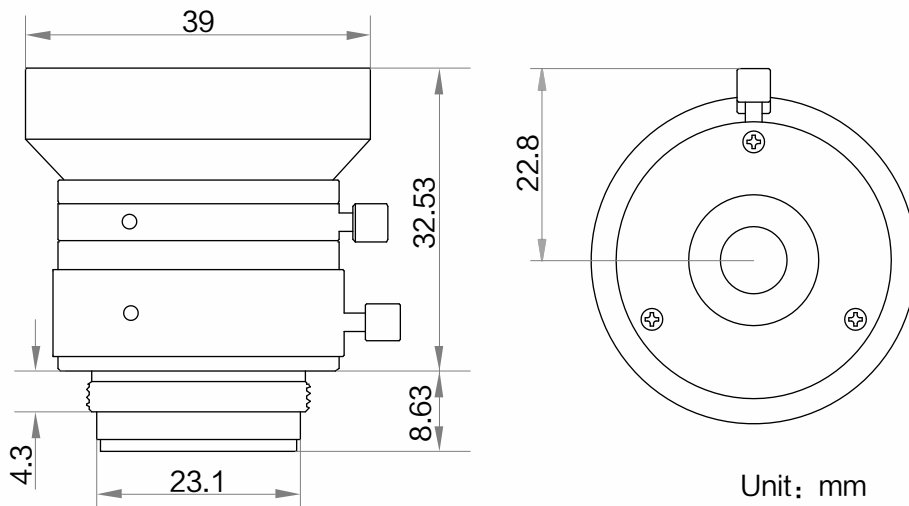
Note: The above curves are the simulate results based on F2.8, $\beta=-0.0196$, WD=300 mm.



Specification

Model	MVL-HF0628M-6MPE
Parameter	Fixed focal length, Manual iris, 6MP, FA Lens
Performance	
Focal Length	6 mm
F-Number	F2.8 ~ F16
Image Size	Φ9 mm(1/1.8")
Distortion	-0.103%
Minimum Operation Distance	0.1 m
Field of View	D (8.96 mm) : 73.49° H (7.38 mm) : 63.11° V (4.92 mm) : 44.59°
Mechanical	
Iris Control	Manual
Focus Control	Manual
Filter Thread	M37.5 × P0.5
Mount	C-Mount
Flange Back Length	17.526 mm
Dimension	Φ39 × 32.53 mm
Weight	65.8 g
Temperature	-10 ~ 50 °C
General	
Certification	RoHS2.0

Dimension



Field of View

Extension (mm)	Working Distance (mm)		Magnification	Field of View (mm)			
				1/1.8"		1/2"	
				H(7.38mm)	V(4.92mm)	H(6.22mm)	V(4.67mm)
1	near	14	-0.217	36.33	23.38	30.07	22.13
	far	24	-0.162	48.15	31.23	40.02	29.57
0	100		-0.054	141.39	93.24	118.6	88.4
	150		-0.037	201.68	133.41	169.47	126.51
	200		-0.029	261.94	173.57	220.31	164.61
	250		-0.023	322.19	213.72	271.14	202.7
	300		-0.02	382.43	253.87	321.96	240.79
	350		-0.017	442.67	294.01	372.79	278.88
	400		-0.015	502.9	334.16	423.61	316.97
	450		-0.013	563.13	374.3	474.43	355.05
	500		-0.012	623.36	414.45	525.25	393.14
	550		-0.011	683.59	454.59	576.07	431.23
	600		-0.01	743.82	494.73	626.89	469.31
	650		-0.009	804.05	534.87	677.71	507.4
	700		-0.009	864.28	575.02	728.53	545.48
	800		-0.008	984.74	655.3	830.16	621.65
900		-0.007	1105.19	735.58	931.79	697.82	
1000		-0.006	1225.64	815.87	1033.43	773.99	

HIKROBOT

Hangzhou Hikrobot Co., Ltd.
en.hikrobotics.com

© Hangzhou Hikrobot Co., Ltd. All Rights Reserved.

Hangzhou Hikrobot does not tolerate any infringement. Any organization or individual may not imitate or reproduce in whole or in part of the content. The data herein is based on Hikrobot's internal evaluation. Actual data may vary depending on specific configuration and operating condition. The information herein is subject to change without notice. All the content has been checked conscientiously. Nevertheless, Hikrobot shall not be liable to damages resulting from errors, inconsistencies or omissions.