

MVL-KF2528M-12MP
1.1" 25mm 12MP FA LENS

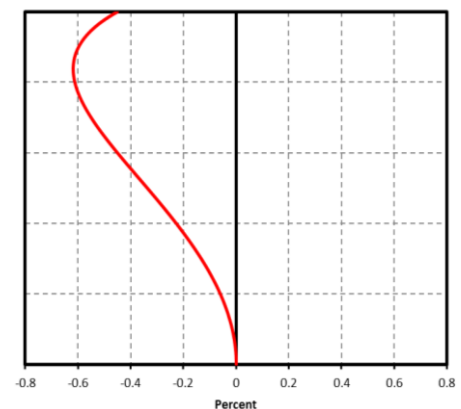
KF series FA Lens are optimized for machine vision light sources and sensors, with high resolution, excellent image uniformity, high transmittance and good stability. Featured with fixed focal length, manual aperture and compact size, it is suitable for machine vision industry applications.



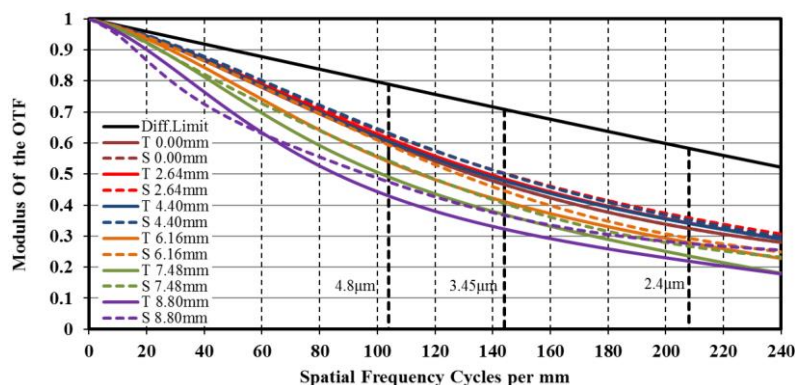
Key Features

- High resolution, high definition of the whole image
- Low distortion, high illumination relative
- Maximum image circle of 1.1"
- Support ultra-short working distance, maintaining excellent optical properties at different object distances

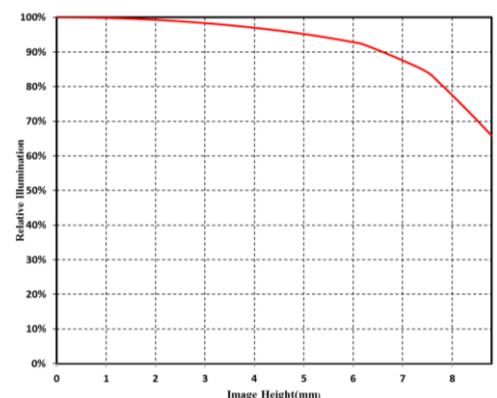
Distortion



MTF



Relative Illumination



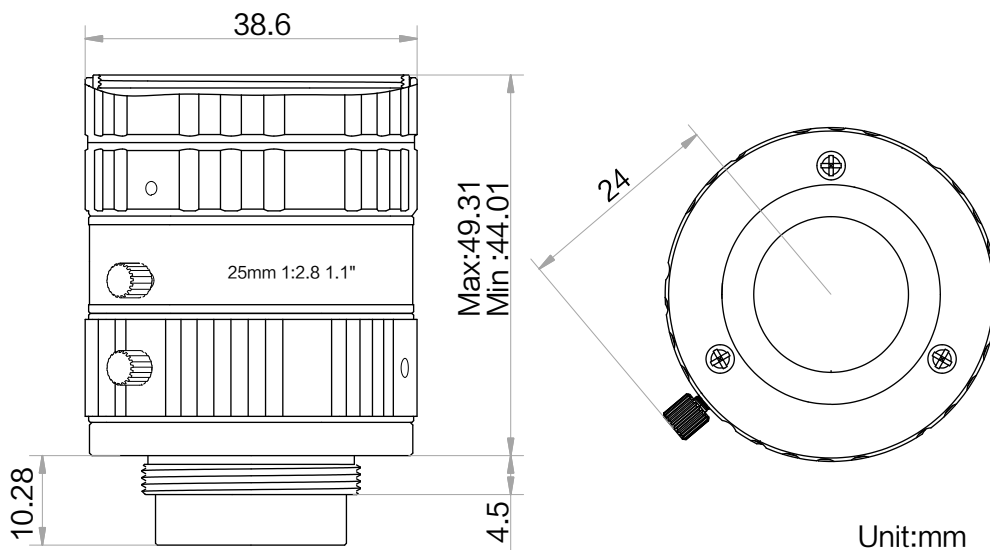
Note: The above curves are the simulate results based on F2.8, $\beta=-0.079$, WD=300 mm.



Specification

Model	MVL-KF2528M-12MP
Parameter	Fixed focal length, Manual iris, 12MP, FA Lens
Performance	
Focal Length	25 mm
F-Number	F2.8 ~ F16
Image Size	Φ17.6 mm(1.1")
Optical Distortion	0.40%
Minimum Object Distance	0.15 m
Field of View	D (17.52mm): 36.7° H (14.14mm): 29.6° V (10.35mm): 22.1°
Mechanical	
Iris Control	Manual
Focus Control	Manual
Filter Thread	M35.5 × 0.5
Mount	C-Mount
Flange Back Length	17.526 mm
Dimension	Φ38.6 × 49.31 mm
Weight	133 g
Temperature	-10 ~ 50°C
General	
Certification	RoHS2.0

Dimension



Field of View

Extension (mm)	Working Distance (mm)	Magnification	Field of View (mm)					
			1.1"		1"		2/3"	
			H (14.14mm)	V (10.35mm)	H (12.45mm)	V (9.83mm)	H (8.45mm)	V (7.07mm)
12	25	-0.632	22.72	16.53	19.95	15.69	13.46	11.24
6	50	-0.386	37.20	27.08	32.68	25.70	22.06	18.43
3	75	-0.277	51.74	37.68	45.45	35.76	30.69	25.64
2	100	-0.217	66.02	48.12	58.03	45.67	39.20	32.76
0	150	-0.151	95.03	69.28	83.53	65.76	56.45	47.17
	200	-0.116	123.26	89.96	108.41	85.40	73.33	61.28
	250	-0.094	151.48	110.63	133.27	105.03	90.20	75.40
	300	-0.079	179.68	131.30	158.13	124.66	107.07	89.51
	350	-0.068	207.88	151.97	182.98	144.29	123.94	103.62
	400	-0.060	236.07	172.63	207.83	163.91	140.80	117.73
	450	-0.054	264.26	193.30	232.68	183.54	157.67	131.84
	500	-0.049	292.45	213.96	257.52	203.16	174.54	145.94
	550	-0.044	320.64	234.62	282.37	222.78	191.40	160.05
	600	-0.041	348.82	255.28	307.21	242.41	208.27	174.16
	650	-0.038	377.01	275.94	332.05	262.03	225.14	188.27
	700	-0.035	405.19	296.60	356.89	281.65	242.00	202.38
	750	-0.033	433.37	317.26	381.74	301.27	258.87	216.49
	800	-0.031	461.55	337.92	406.58	320.89	275.73	230.60
	850	-0.029	489.73	358.58	431.42	340.51	292.60	244.70
	900	-0.027	517.92	379.24	456.26	360.14	309.46	258.81
950	-0.026	546.10	399.90	481.10	379.76	326.33	272.92	
1000	-0.025	574.28	420.56	505.94	399.38	343.19	287.03	

HIKROBOT

Hangzhou Hikrobot Co. Ltd.
en.hikrobotics.com

© Hangzhou Hikrobot Co., Ltd. All Rights Reserved.

Hangzhou Hikrobot does not tolerate any infringement. Any organization or individual may not imitate or reproduce in whole or in part of the content. The data herein is based on Hikrobot's internal evaluation. Actual data may vary depending on specific configuration and operating condition. The information herein is subject to change without notice. All the content has been checked conscientiously. Nevertheless, Hikrobot shall not be liable to damages resulting from errors, inconsistencies or omissions.