

MVL-LF8040M-F

Large Format (Φ56mm) 80mm Focal Length FA LENS

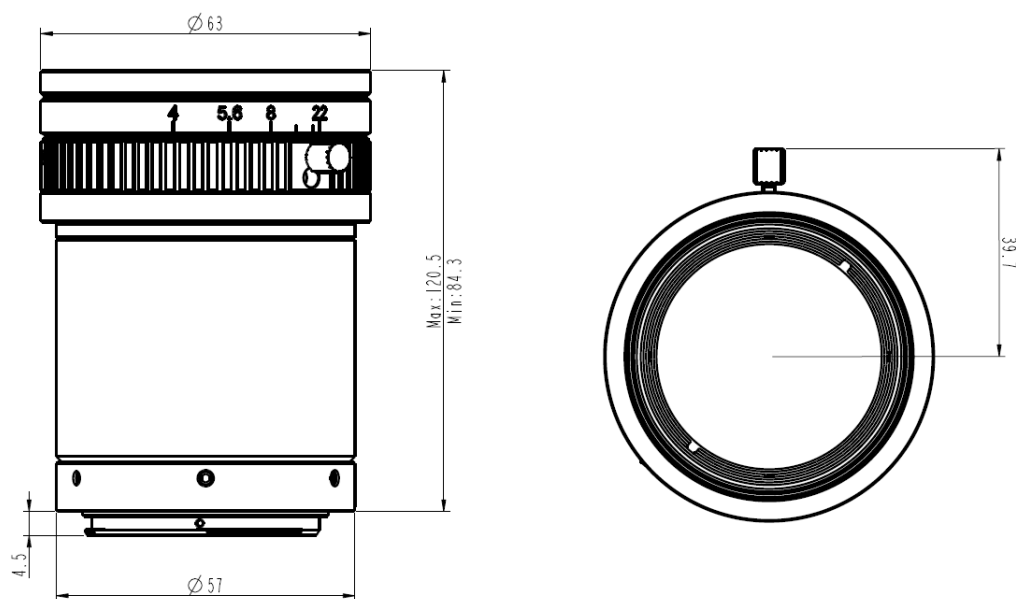
LF series large format FA Lens are optimized for machine vision light sources and sensors, with excellent imaging quality and high image uniformity, magnification range from 0.04x to 0.4x. It is suitable for high resolution machine vision industry applications.



Key Features

- Ultra high central image clarity, up to 3.1μm resolution
- Low distortion and high relative illumination
- Image size Φ56 mm, supporting large target area scan cameras, 8K 5μm, 8K 7μm, 16K 3.5μm line scan cameras
- Optimize optical design for different magnification

Dimension



Unit: mm



Specification

Model	MVL-LF8040M-F
Parameter	Fixed focal length, Manual iris, Large format lens
Performance	
Focal Length	80 mm
F-Number	F4.0 ~ F22
Image Size	Φ56 mm
Optical Distortion	0.12%
Magnification Range	0.4x ~ 0.01x
Working Distance Range	235 ~ inf mm
Mechanical	
Iris Control	Manual
Focus Control	Manual
Filter Thread	M52 × 0.75
Mount	F-Mount
Flange Back Length	46.5 mm
Dimension	Φ63 × 120.5 mm
Weight	601.0 g
Temperature	-10 ~ 50°C
General	
Certification	RoHS2.0

Field of View

Working Distance (mm)	Magnification	Field of View (mm)					
		H(23mm)	V(23mm)	H(36.17mm)	V(24.11mm)	H(8K 5μm)	H(8K 7μm 16K 3.5μm)
235	-0.400	57.60	57.60	90.42	60.28	102.40	143.36
250	-0.372	61.96	61.96	97.26	64.84	110.15	154.15
300	-0.300	76.80	76.80	120.56	80.37	136.53	191.15
350	-0.252	91.44	91.44	143.54	95.70	162.56	227.56
400	-0.217	106.18	106.18	166.68	111.12	188.77	264.26
450	-0.191	120.92	120.92	189.82	126.55	214.97	300.23
500	-0.170	135.69	135.69	213.00	142.00	241.23	337.32
550	-0.153	150.41	150.41	236.11	157.40	267.39	374.80
600	-0.140	165.16	165.16	259.27	172.85	293.62	409.60
700	-0.118	194.63	194.63	305.53	203.69	346.01	485.97
800	-0.103	224.13	224.13	351.83	234.55	398.44	556.74
900	-0.091	253.61	253.61	398.11	265.41	450.85	630.15
1000	-0.081	283.08	283.08	444.38	296.25	503.26	707.95
1100	-0.074	312.58	312.58	490.68	327.12	555.69	774.92
1200	-0.067	342.04	342.04	536.94	357.96	608.08	855.88
1300	-0.062	371.53	371.53	583.22	388.82	660.50	924.90
1400	-0.057	401.00	401.00	629.49	419.66	712.89	1006.04
1500	-0.054	430.49	430.49	675.79	450.52	765.32	1061.93

HIKROBOT

Hangzhou Hikrobot Co. Ltd.
en.hikrobotics.com

© Hangzhou Hikrobot Co., Ltd. All Rights Reserved.

Hangzhou Hikrobot does not tolerate any infringement. Any organization or individual may not imitate or reproduce in whole or in part of the content. The data herein is based on Hikrobot's internal evaluation. Actual data may vary depending on specific configuration and operating condition. The information herein is subject to change without notice. All the content has been checked conscientiously. Nevertheless, Hikrobot shall not be liable to damages resulting from errors, inconsistencies or omissions.