

MVL-MF1228M-8MP 2/3" 12mm 8MP FA LENS

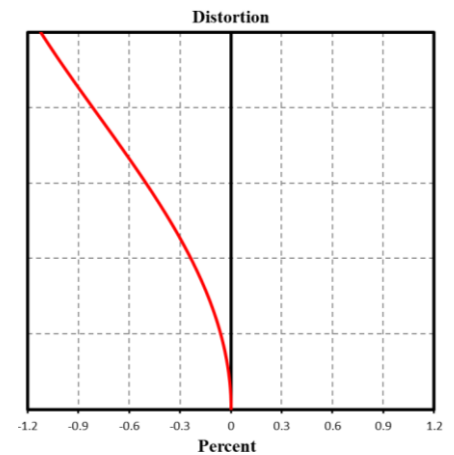
MF series FA Lens are optimized for machine vision light sources and sensor, with high resolution, excellent image quality, high transmittance and good stability. Featured with fixed focal length, manual aperture and compact size, it is suitable for machine vision industry applications and ideal for industrial cameras.



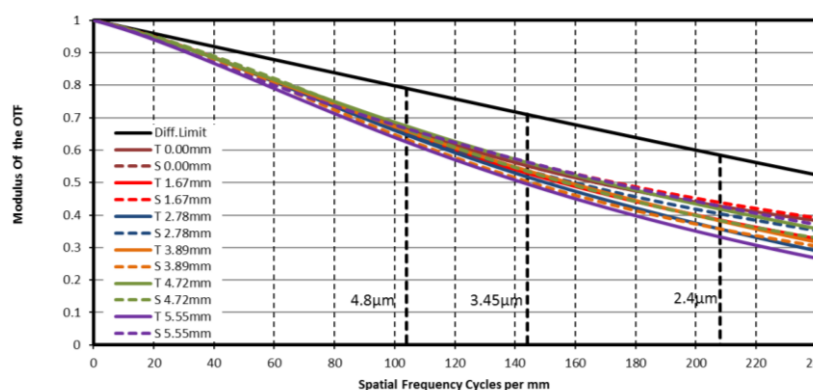
Key Features

- Ultra-high resolution and consistency of image clarity
- Ultra-low distortion and higher relative illumination
- Achromatic optical system design, better image performance with color camera
- Supports ultra-short working distance with good optical performance
- Compact design, excellent vibration resistance and high and low temperature performance

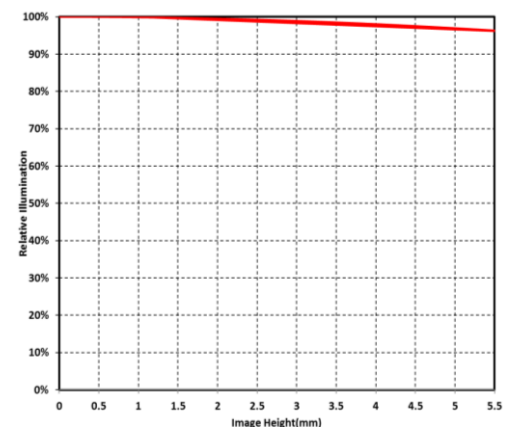
Distortion



MTF



Relative Illumination



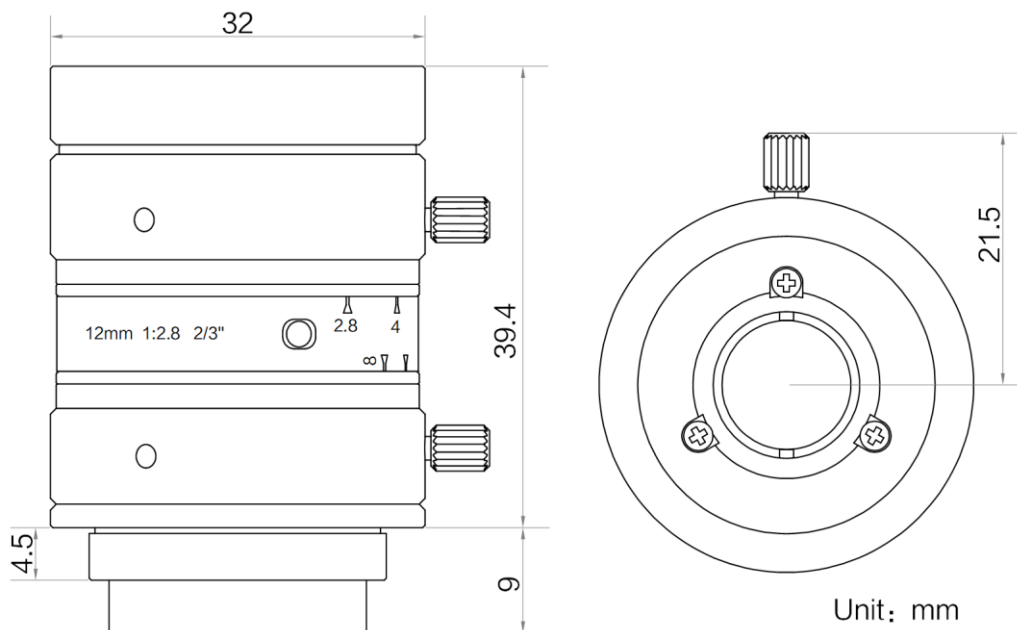
Note: The above curves are the simulate results based on F2.8, $\beta=-0.038$, WD=300 mm.



Specification

Parameter	Model	MVL-MF1228M-8MP
		Fixed focal length, Manual iris, 8MP, FA Lens
Performance		
Focal Length		12 mm
F-Number		F2.8 ~ F16
Image Size		Φ11 mm(2/3")
Distortion		0.28%
Minimum Object Distance		0.1 m
Field of View		D (11.1 mm) : 48.57° H (8.45 mm) : 37.88° V (7.07 mm) : 32.04°
Mechanical		
Iris Control		Manual
Focus Control		Manual
Filter Thread		M30.5 × 0.5
Mount		C-Mount
Flange Back Length		17.526 mm
Dimension		Φ32 × 39.4 mm
Weight		75.1 g
Temperature		-10 ~ 50°C
General		
Certification		RoHS2.0

Dimension



Field of View

Extension (mm)	Working Distance (mm)		Magnification	Field of View(mm)					
				2/3"		1/1.8"		1/2"	
				H (8.45mm)	V (7.07mm)	H (7.38mm)	V (4.92mm)	H (6.22mm)	V (4.67mm)
5	near	5.76	-0.522	16.20	13.55	14.15	9.43	11.92	8.95
	far	10.32	-0.417	20.27	16.96	17.71	11.80	14.92	11.20
2	near	26.93	-0.272	31.10	26.20	27.17	18.11	22.90	17.19
	far	53.48	-0.167	50.66	42.39	44.25	29.50	37.29	28.00
1	near	46.48	-0.188	44.87	37.54	39.19	26.12	33.03	24.80
	far	125.32	-0.083	101.25	84.72	88.43	58.96	74.53	55.96
0		100	-0.103	83.39	69.55	72.65	48.20	61.08	45.74
		150	-0.072	118.31	98.72	103.11	68.46	86.72	64.96
		200	-0.056	153.13	127.82	133.49	88.67	112.30	84.14
		250	-0.045	187.90	156.88	163.83	108.86	137.85	103.29
		300	-0.038	222.63	185.91	194.14	129.02	163.37	122.43
		350	-0.033	257.35	214.93	224.44	149.18	188.88	141.56
		400	-0.029	292.07	243.94	254.73	169.33	214.39	160.69
		450	-0.026	326.78	272.95	285.02	189.49	239.89	179.81
		500	-0.024	361.46	301.94	315.29	209.63	265.38	198.93
		550	-0.021	396.14	330.93	345.56	229.77	290.87	218.04
		600	-0.020	430.84	359.93	375.84	249.92	316.37	237.16
		650	-0.018	465.53	388.93	406.12	270.06	341.86	256.28
		700	-0.017	500.21	417.91	436.38	290.20	367.34	275.39
		750	-0.016	534.90	446.91	466.66	310.34	392.83	294.51
		800	-0.015	569.58	475.90	496.92	330.48	418.32	313.62
		850	-0.014	604.29	504.91	527.21	350.63	443.82	332.74
		900	-0.013	638.94	533.87	557.45	370.75	469.29	351.84
	950	-0.013	673.61	562.85	587.71	390.89	494.76	370.94	
	1000	-0.012	708.32	591.86	618.00	411.04	520.27	390.07	

HIKROBOT

Hangzhou Hikrobot Co. Ltd.
en.hikrobotics.com

© Hangzhou Hikrobot Co., Ltd. All Rights Reserved.

Hangzhou Hikrobot does not tolerate any infringement. Any organization or individual may not imitate or reproduce in whole or in part of the content. The data herein is based on Hikrobot's internal evaluation. Actual data may vary depending on specific configuration and operating condition. The information herein is subject to change without notice. All the content has been checked conscientiously. Nevertheless, Hikrobot shall not be liable to damages resulting from errors, inconsistencies or omissions.