

SA1620M-10MP
4/3" 16mm 10MP FA LENS

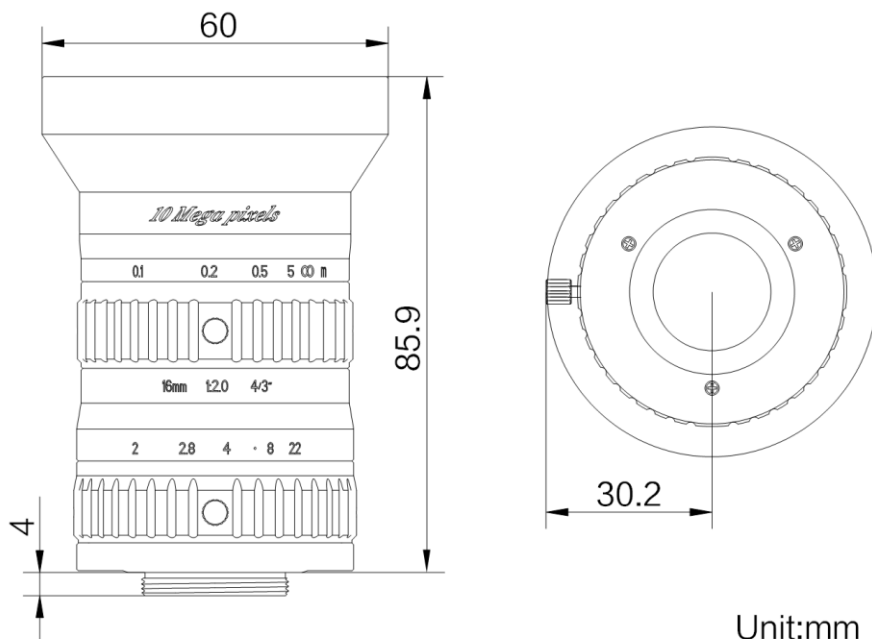
SA series FA Lens are optimized for machine vision light sources and sensors, with high resolution, excellent image uniformity, high transmittance and good stability. Featured with fixed focal length, manual aperture and compact size, it is suitable for machine vision industry application.



Key Features

- High resolution and excellent image uniformity
- F2.0, Maximum image circle of 4/3"
- Low distortion to improve measurement accuracy
- High peripheral brightness ratio to ensure image brightness consistency

Dimension



Specification

Parameter	Model	SA1620M-10MP
		Fixed focal length, Manual iris, 10MP, FA Lens
Performance		
Focal Length		16 mm
F-Number		F2.0 ~ F22
Image Size		Φ23 mm(4/3")
Optical Distortion		-2.81%
Minimum Object Distance		0.1 m
Field of View		D (22.6 mm) : 72.9° H (18.13 mm) : 60.9° V (13.6 mm) : 47.3°
Mechanical		
Iris Control		Manual
Focus Control		Manual
Filter Thread		M58 × 0.75
Mount		C-Mount
Flange Back Length		17.526 mm
Dimension		Φ60 × 85.9 mm
Weight		340 g
Temperature		-10 ~ 50°C
General		
Certification		RoHS2.0

Field of View

Extension (mm)	Working Distance (mm)		Magnification	Field of View (mm)					
				4/3"		1.1"		2/3"	
				H (18.13mm)	V (13.6mm)	H (14.14mm)	V (10.35mm)	H (8.45mm)	V (7.07mm)
5	near	13.17	-0.445	40.79	30.60	31.81	23.28	19.01	15.91
	far	27.66	-0.313	57.99	43.50	45.22	33.10	27.03	22.61
2	near	39.43	-0.257	70.54	52.92	55.02	40.27	32.88	27.51
	far	104.33	-0.125	144.85	108.66	112.98	82.69	67.51	56.49
1	near	59.43	-0.195	93.21	69.92	72.70	53.21	43.44	36.35
	far	231.84	-0.063	289.34	217.04	225.66	165.18	134.85	112.83
0		100	-0.128	147.23	108.66	113.17	81.90	66.56	55.53
		150	-0.092	205.40	151.92	158.20	114.63	93.19	77.77
		200	-0.071	263.46	195.12	203.17	147.31	119.80	99.99
		250	-0.058	321.48	238.30	248.10	179.98	146.39	122.19
		300	-0.049	379.46	281.45	293.01	212.64	172.97	144.39
		350	-0.043	437.43	324.60	337.91	245.29	199.55	166.59
		400	-0.038	495.39	367.74	382.81	277.93	226.12	188.78
		450	-0.034	553.34	410.88	427.70	310.57	252.69	210.97
		500	-0.031	611.28	454.01	472.59	343.21	279.26	233.16
		550	-0.028	669.23	497.14	517.48	379.85	305.83	255.34
		600	-0.026	727.17	540.27	562.36	408.49	332.40	277.53
		650	-0.024	785.10	583.40	607.25	441.13	358.96	299.72
		700	-0.022	843.04	626.52	652.13	473.62	385.53	321.90
		750	-0.021	900.97	669.65	697.01	506.40	412.10	344.09
		800	-0.019	958.90	712.77	741.89	539.03	438.66	366.28
		850	-0.018	1016.83	755.90	786.57	571.67	465.23	388.46
		900	-0.017	1074.76	799.02	831.65	604.30	491.79	410.65
	950	-0.016	1132.69	842.14	876.53	636.94	518.36	432.83	
	1000	-0.016	1190.62	885.27	921.41	669.57	544.92	455.02	

HIKROBOT

Hangzhou Hikrobot Co. Ltd.
en.hikrobotics.com

© Hangzhou Hikrobot Co., Ltd. All Rights Reserved.
Hangzhou Hikrobot does not tolerate any infringement. Any organization or individual may not imitate or reproduce in whole or in part of the content. The data herein is based on Hikrobot's internal evaluation. Actual data may vary depending on specific configuration and operating condition. The information herein is subject to change without notice. All the content has been checked conscientiously. Nevertheless, Hikrobot shall not be liable to damages resulting from errors, inconsistencies or omissions.